

AXOR Urquiola

Single lever basin mixer for concealed installation wall-mounted with spout 200 mm

Surfaces: **Chrome** Article Number: **11026000**



Description

product features

- consists of: Single lever basin mixer for concealed installation wall-mounted, waste set
- projection 200 mm
- normal spray
- flow rate at 3 bar: 5 l/min
- ceramic cartridge
- temperature limitation adjustable
- suitable for continuous flow water heaters
- non-closing waste set
- connection dimension: DN15

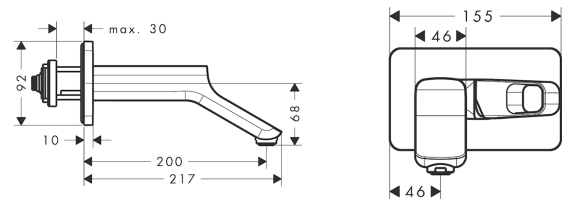
Technology



Product image



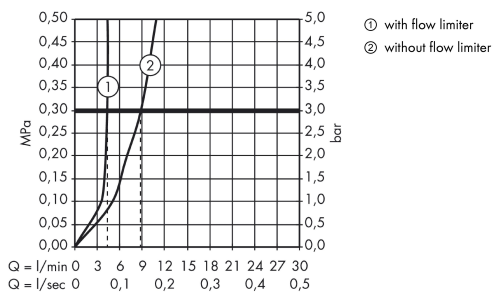
Scale drawing



AXOR Urquiola
Single lever basin mixer for concealed installation wall-mounted with spout 200 mm
 Surfaces: **Chrome** Article Number: **11026000**



Flowchart

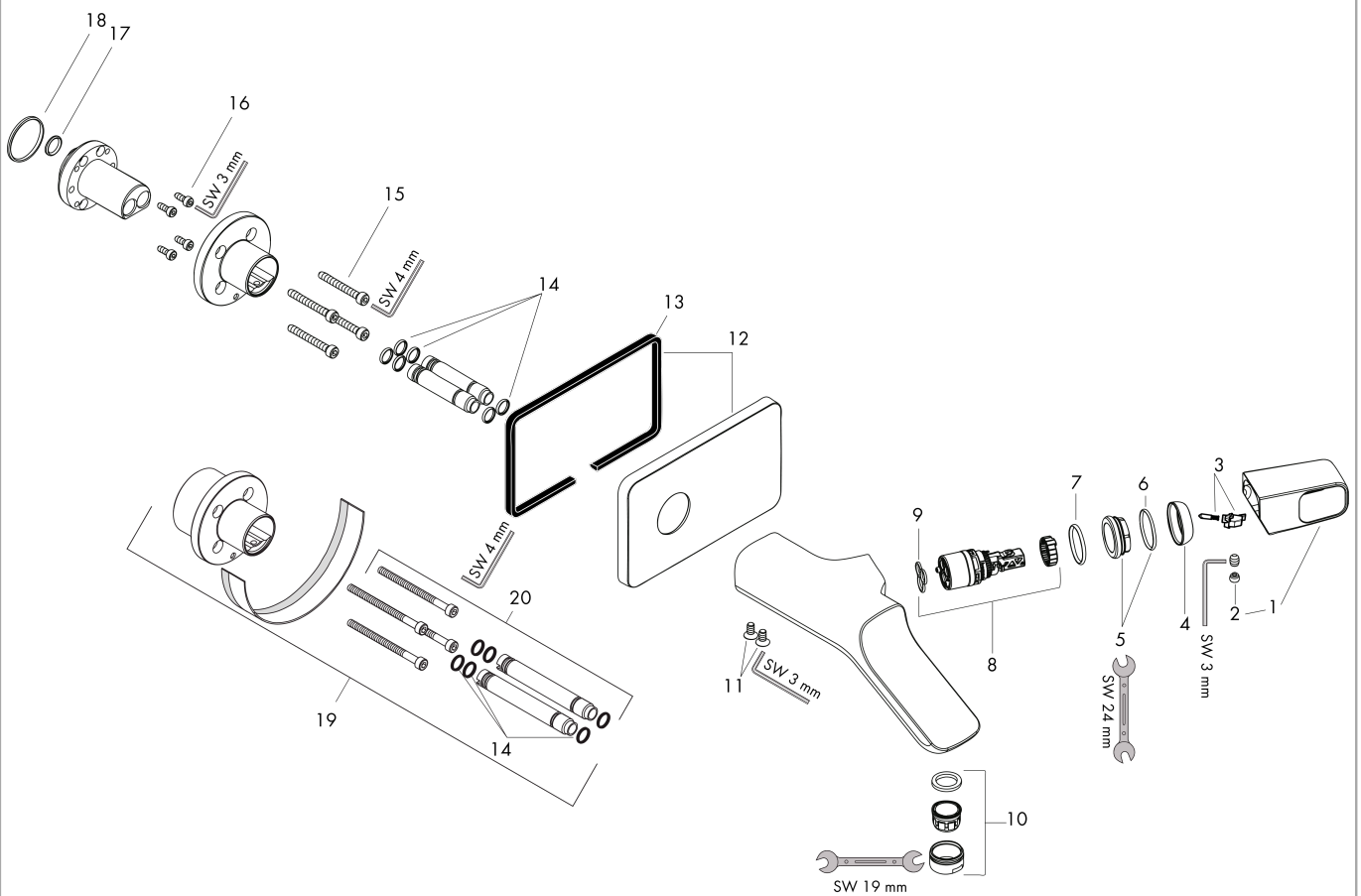


AXOR Urquiola
Single lever basin mixer for concealed installation wall-mounted with spout 200 mm
 Surfaces: **Chrome** Article Number: **11026000**



Exploded Drawing

Year of production: >01/10



AXOR Urquiola

Single lever basin mixer for concealed installation wall-mounted with spout 200 mm

Surfaces: **Chrome** Article Number: **11026000**



Spare part list

Year of production: >01/10

Pos.	Description	Article Number	PC	PU
1	handle	11093000	0	1
2	screw cover	96338000	0	1
3	spring with sleeve	92462000	0	1
4	flange	98863000	0	1
5	nut	95178000	0	1
6	O-Ring 22x2	98185000	0	1
7	O-ring 25x2	98389000	0	1
8	cartridge, assy	97685000	0	1
9	seal	98865000	0	1
10	aerator M24x1 (5 l/min)	13185000	0	1
11	screw	95486000	0	1
12	escutcheon	95485000	0	1
13	seal	97737000	0	1
14	O-ring 9x1,5	98117000	0	1
15	hexagon socket screw M5x40	97673000	0	1
16	hexagon socket screw M4x10	97661000	0	1
17	O-ring 11x2	98127000	0	1
18	O-Ring 30x2	98186000	0	1
19	extension set 28 mm	11980000	0	1
20	extension set 28 mm	95857000	0	1
a	concealed item	10902180	0	1
b	sealing foil	96660000	0	1
c	aerator M24x1 (3,5 l/min)	92508000	0	1
d	aerator M24x1 (4,5 l/min)	92877000	0	1
e	aerator swivelling M24x1 (5 l/min)	95928000	0	1