

AXOR Urquiola
Single lever basin mixer 280 for washbowls with waste set
 Surfaces: **Chrome** Article Number: **11035000**



Description

product features

- consists of: single lever basin mixer, waste set
- ComfortZone 280
- projection 198 mm
- normal spray
- flow rate at 3 bar: 5 l/min
- ceramic cartridge
- temperature limitation adjustable
- suitable for continuous flow water heaters
- non-closing waste set
- connection dimension: DN15
- handle position on the side: top-side at the spout (generally suitable for wash bowls)

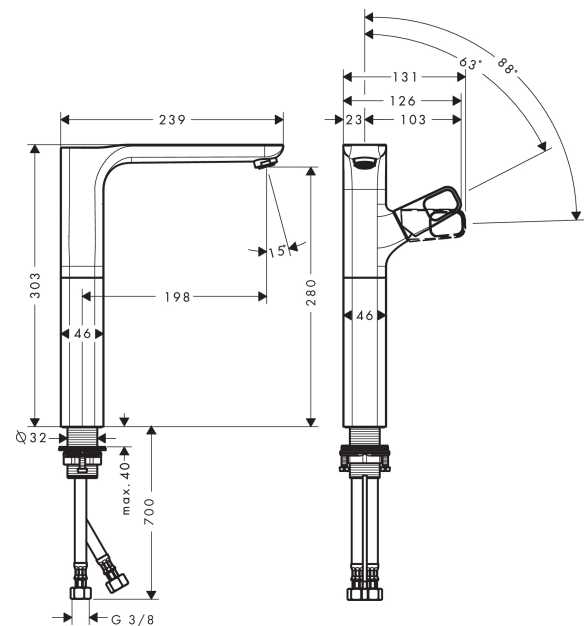
Technology



Product image



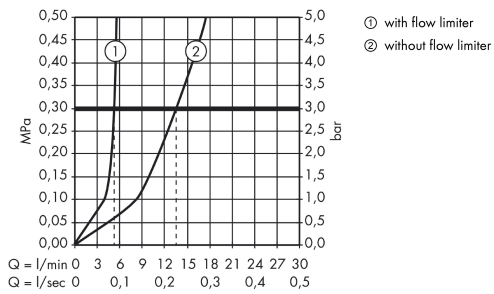
Scale drawing



AXOR Urquiola
Single lever basin mixer 280 for washbowls with waste set
 Surfaces: **Chrome** Article Number: **11035000**



Flowchart

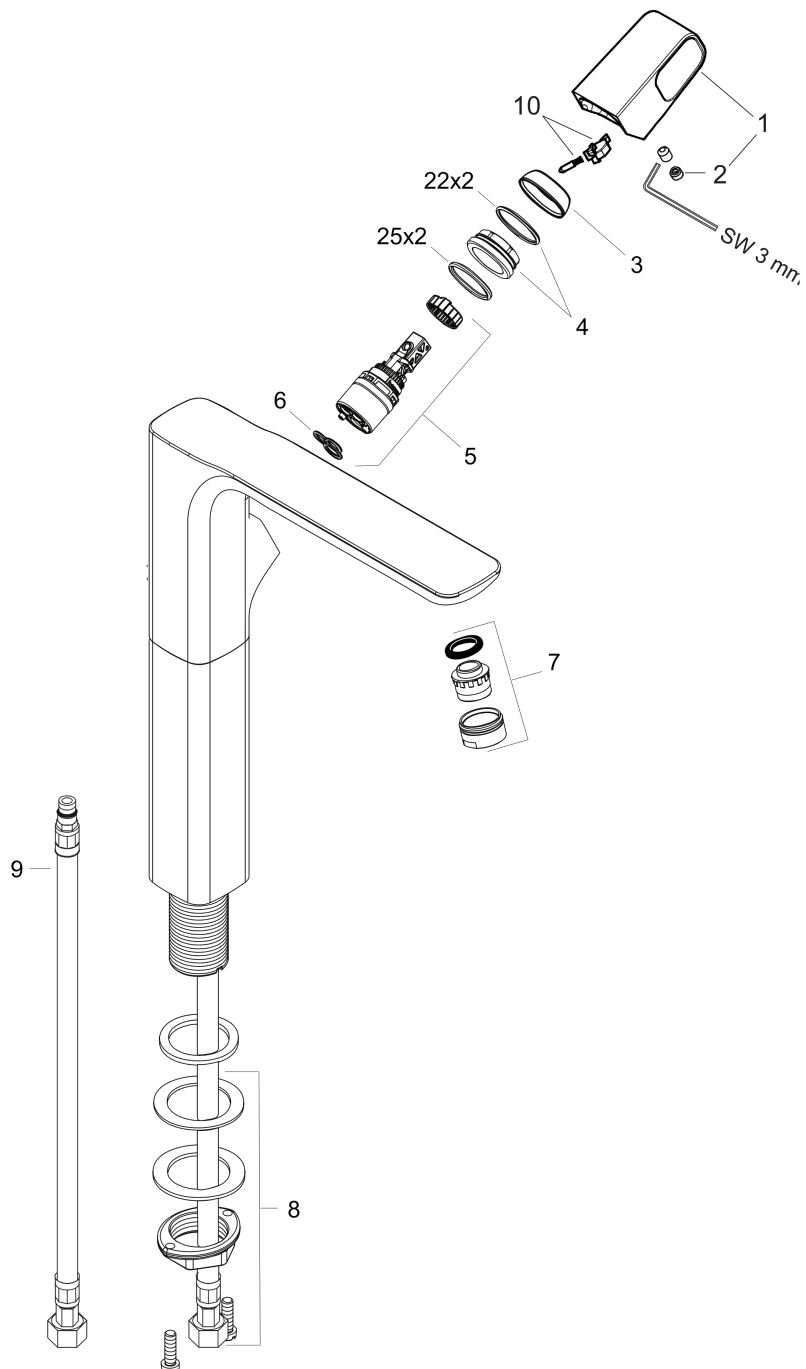


AXOR Urquiola
Single lever basin mixer 280 for washbowls with waste set
Surfaces: **Chrome** Article Number: **11035000**



Exploded Drawing

Year of production: >11/11



AXOR Urquiola
Single lever basin mixer 280 for washbowls with waste set
 Surfaces: **Chrome** Article Number: **11035000**



Spare part list

Year of production: >11/11

Pos.	Description	Article Number	PC	PU
1	handle	11093000	0	1
2	screw cover	96338000	0	1
3	flange	98863000	0	1
4	nut	95178000	0	1
5	cartridge, assy	97685000	0	1
6	seal	98865000	0	1
7	aerator M24x1 (5 l/min)	13185000	0	1
8	fixing set (Ø 32)	13961000	0	1
9	connection hose 900 mm M8x0,75 G3/8	96316XXX	0	-
10	spring with sleeve	92462000	0	1
a	fixation extension 35 mm	13898000	0	1
b	aerator M24x1 (3,5 l/min)	92508000	0	1
c	aerator M24x1 (4,5 l/min)	92877000	0	1
d	aerator swivelling M24x1 (5 l/min)	95928000	0	1