

AXOR Urquiola
3-hole basin mixer 50 with plate and pop-up waste set
 Surfaces: **Chrome** Article Number: **11040000**



Description

product features

- consists of: 3-hole basin mixer, waste set
- ComfortZone 50
- projection 180 mm
- normal spray
- flow rate at 3 bar: 5 l/min
- ceramic valves hot/ cold 90°
- suitable for continuous flow water heaters
- pop-up waste set G 1¼
- connection dimension: DN15
- for use only at flat, plain surfaces

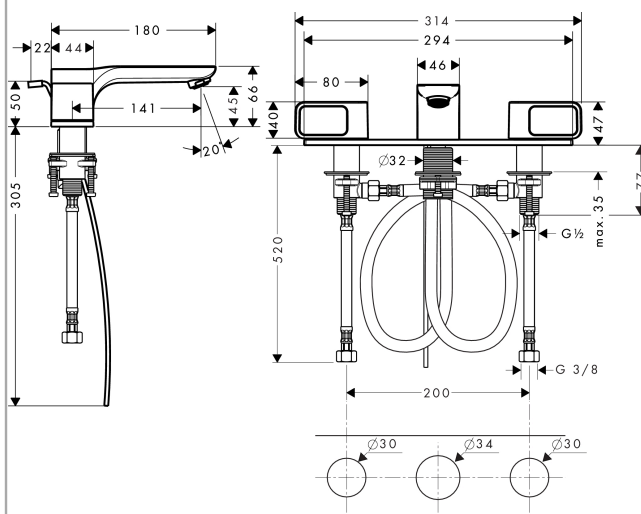
Technology



Product image



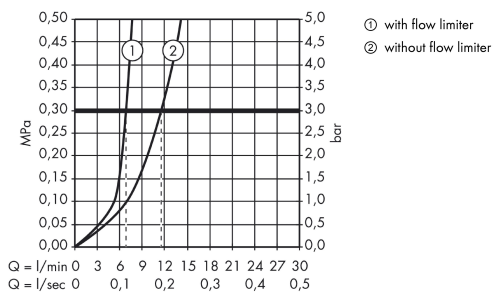
Scale drawing



AXOR Urquiola
3-hole basin mixer 50 with plate and pop-up waste set
 Surfaces: **Chrome** Article Number: **11040000**



Flowchart

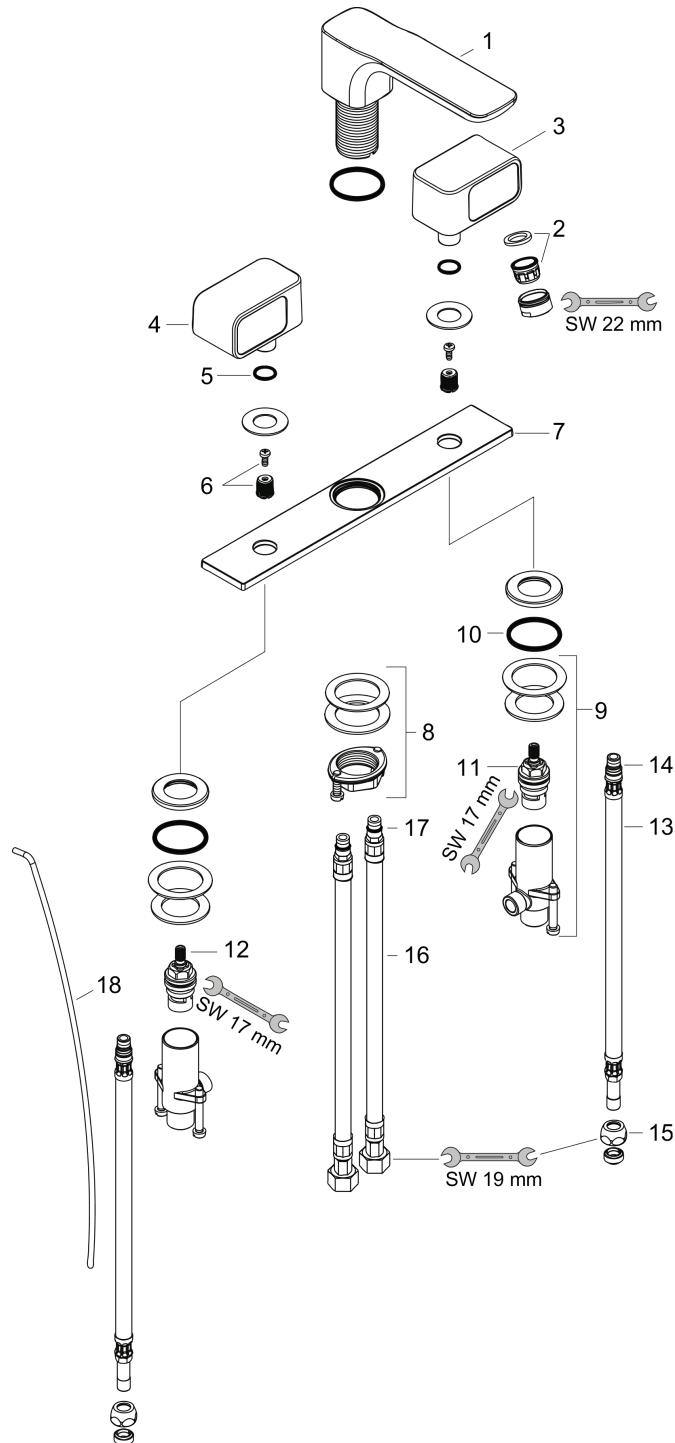


AXOR Urquiola
3-hole basin mixer 50 with plate and pop-up waste set
 Surfaces: **Chrome** Article Number: **11040000**



Exploded Drawing

Year of production: >01/10



AXOR Urquiola
3-hole basin mixer 50 with plate and pop-up waste set
 Surfaces: **Chrome** Article Number: **11040000**



Spare part list

Year of production: >01/10

Pos.	Description	Article Number	PC	PU
1	spout cpl.	95303000	0	1
2	handle for cold water	95305000	0	1
3	handle for hot water	95304000	0	1
4	aerator M24x1 (5 l/min)	13185000	0	1
5	O-ring 15x1,5	92118000	0	1
6	handle fixing set	98932000	0	1
7	escutcheon	95306000	0	1
8	fixing set (Ø 32)	13961000	0	1
9	stop valve cpl.	97357000	0	1
10	O-ring 36x3	98052000	0	1
11	shut off unit left closing	94008000	0	1
12	shut off unit right closing	94009000	0	1
13	connection hose 450 mm M10x1 G3/8	96507000	0	1
14	O-ring 8x1,75	97827000	0	1
15	squeezing connection	94158000	0	1
16	connection hose 450 mm M8x0,75 G3/8	97206000	0	1
17	O-ring 7x1,5	98422000	0	1
18	pull rod	96657000	0	1
a	fixation extension 35 mm	13898000	0	1
b	aerator M24x1 (3,5 l/min)	92508000	0	1
c	aerator M24x1 (4,5 l/min)	92877000	0	1
d	aerator swivelling M24x1 (5 l/min)	95928000	0	1