

AXOR Urquiola
Single lever bath mixer for exposed installation
 Surfaces: **Chrome** Article Number: **11420000**



Description

product features

- projection 198 mm
- connection type: s-shaped connections
- centre distance: 150 ± 16 mm
- spray type mixer: normal spray
- flow rate at 3 bar: 22 l/min
- ceramic cartridge
- min. operating pressure: 1 bar
- max. operating pressure: 10 bar
- temperature limitation adjustable
- with automatic resetting
- non-return valve
- with silencer
- suitable for continuous flow water heaters
- connection dimension: DN15

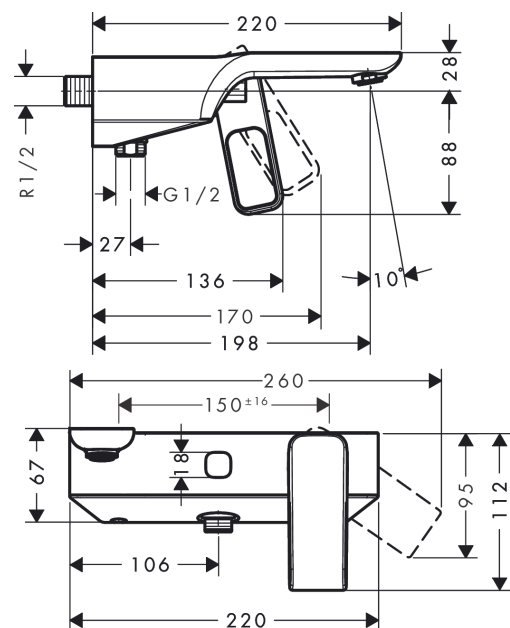
Technology



Product image



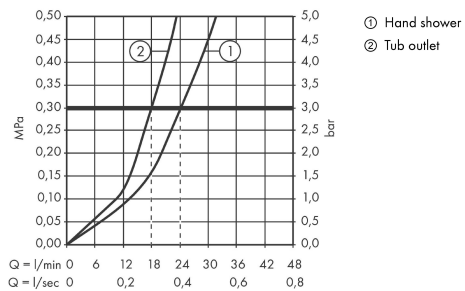
Scale drawing



AXOR Urquiola
Single lever bath mixer for exposed installation
 Surfaces: **Chrome** Article Number: **11420000**



Flowchart

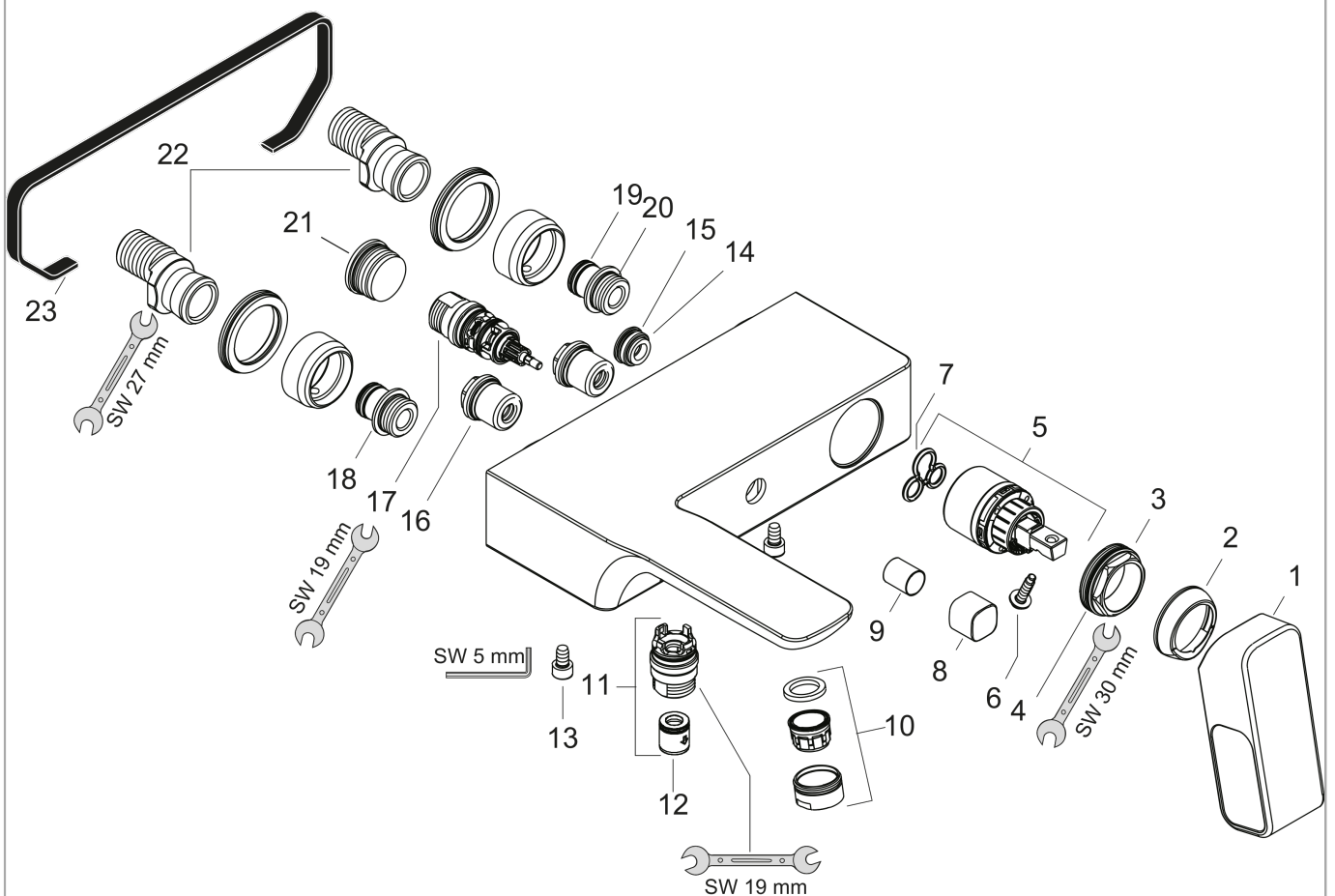


AXOR Urquiola
Single lever bath mixer for exposed installation
Surfaces: **Chrome** Article Number: **11420000**



Exploded Drawing

Year of production: >04/09



AXOR Urquiola
Single lever bath mixer for exposed installation
 Surfaces: **Chrome** Article Number: **11420000**



Spare part list

Year of production: >04/09

Pos.	Description	Article Number	PC	PU
1	handle	11493000	0	1
2	flange	96763000	0	1
3	nut	97209000	0	1
4	O-ring 33x2	98154000	0	1
5	cartridge, assy	92730000	0	1
6	locking screw for handle	95140000	0	1
7	seal	95008000	0	1
8	diverter knob	95444000	0	1
9	sleeve	97738000	0	1
10	aerator M24x1 (25 l/min)	13956000	0	1
11	connecting thread	95367000	0	1
12	set of non return valves DW 15	94074000	0	1
13	hexagon socket screw M6x10	92847000	0	1
14	plug	92859000	0	1
15	O-ring 15x1,5	92118000	0	1
16	noise reduction	94073000	0	1
17	selector assy	94077000	0	1
18	connecting thread	97236000	0	1
19	O-Ring 13x3	98184000	0	1
20	O-ring 17x1,5	98137000	0	1
21	O-ring 23x2	98398000	0	1
22	set of S-unions	94136000	0	1
23	seal	97530000	0	1
a	diverter fixing device	97211000	0	1
b	O-ring 18x2	98181000	0	1