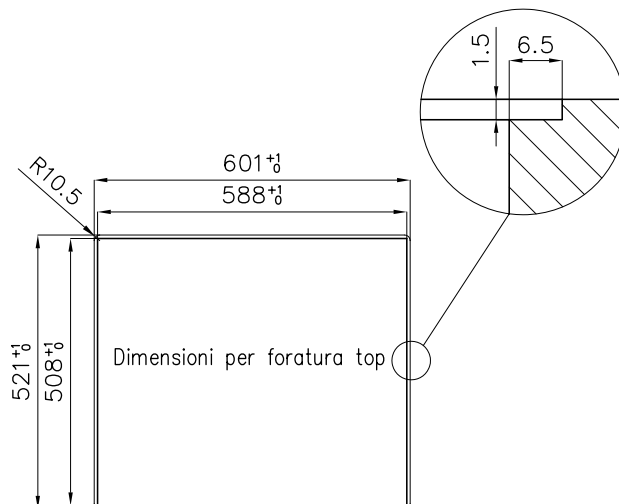
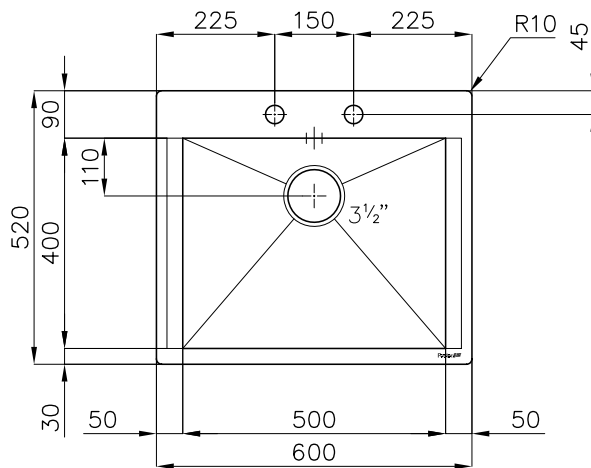
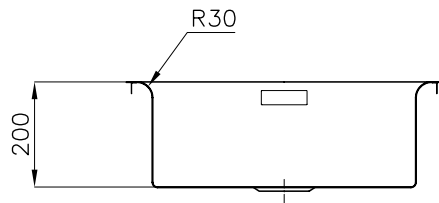


New Wave.1V.50x40.FT

FT

cod. 1410 000



www.fosterspa.com