

**AXOR Massaud**  
**3-hole basin mixer 80 with pop-up waste set**  
 Surfaces: **Chrome** Article Number: **18013000**



## Description

### product features

- consists of: 3-hole basin mixer, waste set
- ComfortZone 80
- projection 100 mm
- wide flood jet
- flow rate at 3 bar: 4 l/min
- ceramic valves hot/ cold 90°
- suitable for continuous flow water heaters
- pop-up waste set G 1¼
- connection dimension: DN15

## Technology



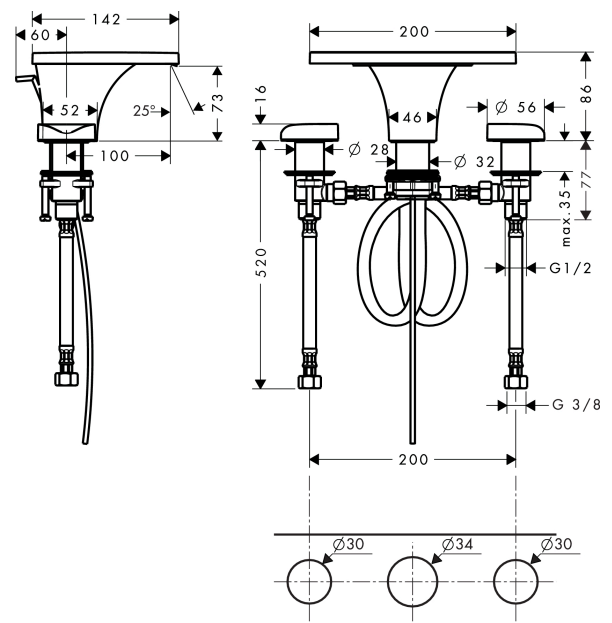
## Design awards



## Product image



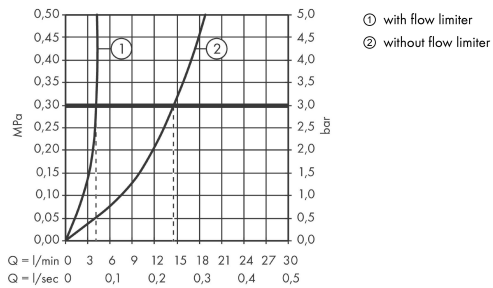
## Scale drawing



**AXOR Massaud**  
**3-hole basin mixer 80 with pop-up waste set**  
 Surfaces: **Chrome** Article Number: **18013000**



## Flowchart

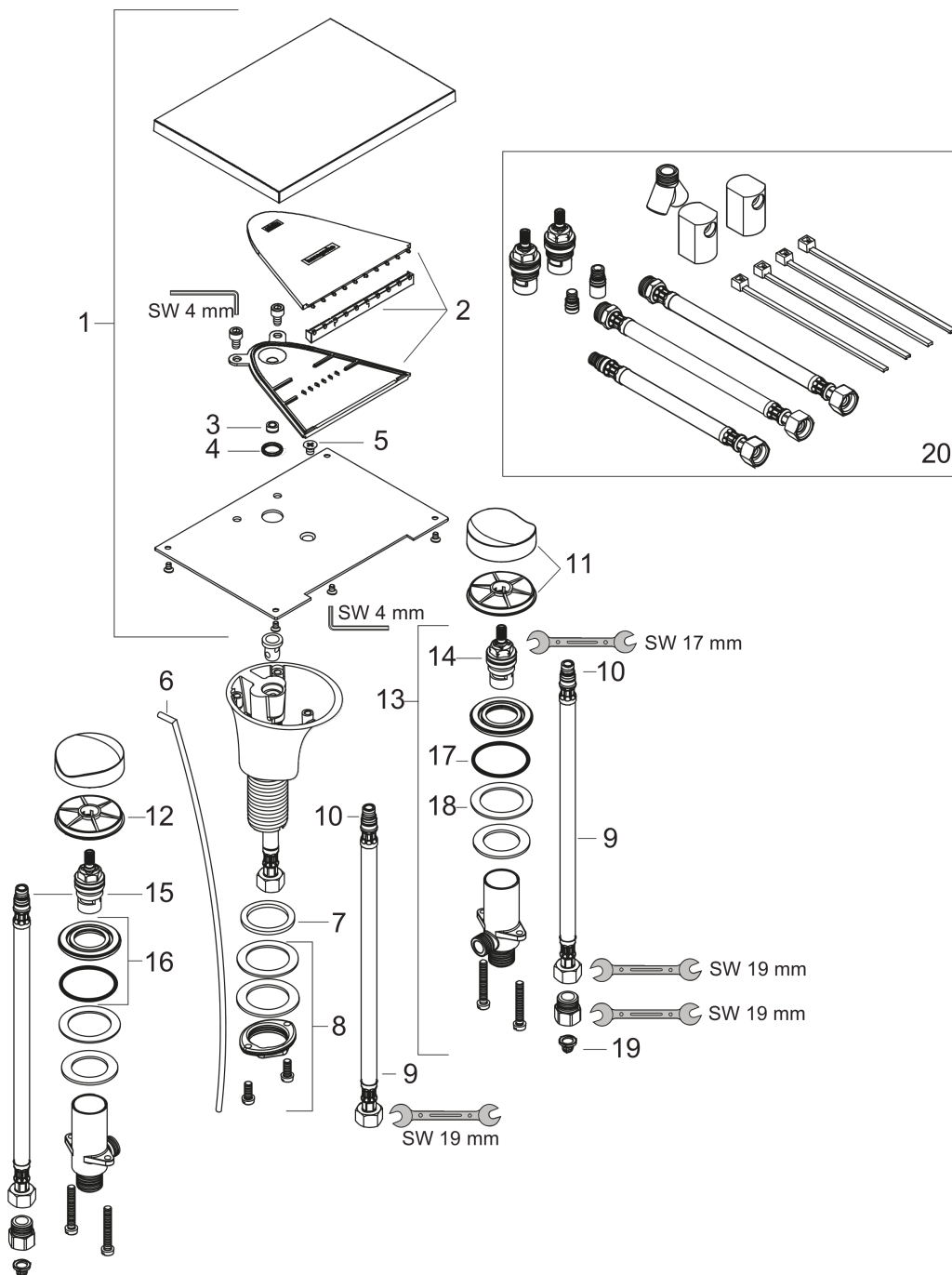


**AXOR Massaud**  
**3-hole basin mixer 80 with pop-up waste set**  
 Surfaces: **Chrome** Article Number: **18013000**



## Exploded Drawing

Year of production: >04/13



**AXOR Massaud**  
**3-hole basin mixer 80 with pop-up waste set**  
 Surfaces: **Chrome** Article Number: **18013000**



## Spare part list

Year of production: >04/13

Pos.	Description	Article Number	PC	PU
1	plate for spout	98658000	0	1
2	spray former	97446000	0	1
3	flow limiter (4 l/min)	98465000	0	1
4	O-ring 16x2,5	98134000	0	1
5	screw	92137000	0	1
6	pull rod	97158000	0	1
7	flat seal	98749000	0	1
8	fixing set (Ø 32)	13961000	0	1
9	connection hose 450 mm M10x1 G3/8	96507000	0	1
10	O-ring 8x1,75	97827000	0	1
11	handle	18094000	0	1
12	set of color-rings cold / hot water	98660000	0	1
13	stop valve cpl.	97357000	0	1
14	shut off unit left closing	94008000	0	1
15	shut off unit right closing	94009000	0	1
16	nut	92854000	0	1
17	O-ring 40x3	92634000	0	1
18	lever collar	97548000	0	1
19	filter packing	95291000	0	1
20	Hose extension set for 3-Hole Basin Mixer	38959000	0	1
a	pop up waste	94139000	0	1
b	fixation extension 35 mm	13898000	0	1
c	spray former (special 8°)	95492000	0	1