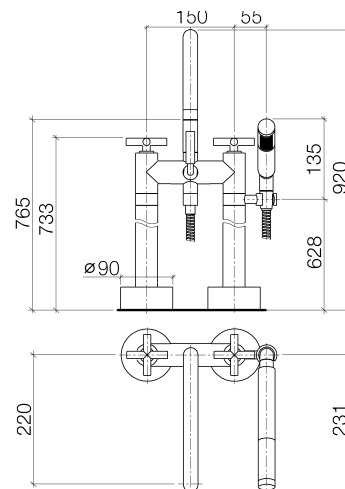




### Product specifications

- **220 mm projection**
  - pivotable spout 180°
  - M 22 x 1 aerator – female thread
  - back flow preventer in shower outlet
  - 1/2" ceramic head part
  - bath/shower diverter
  - pivotable shower holder on the right foot
  - bar-type hand shower with anti-scale system and back flow preventer
  - 3/8" x 1/2" x 1250 mm shower hose with turning cone
  - stand pipe with fastening flange, screw rosette  $\varnothing$  90 mm, double-walled water control
  - total height 920 mm
  - height up to aerator 765 mm
  - stand pipes height 628 mm
  - gauge 150 mm
  - Max. hand shower flow 7.6 l/min
- Intrinsic protection against back flow





Also available with 260 mm or 300 mm projection on request.

Alternatively, can be combined with an additional accessory (or replace shower holder).

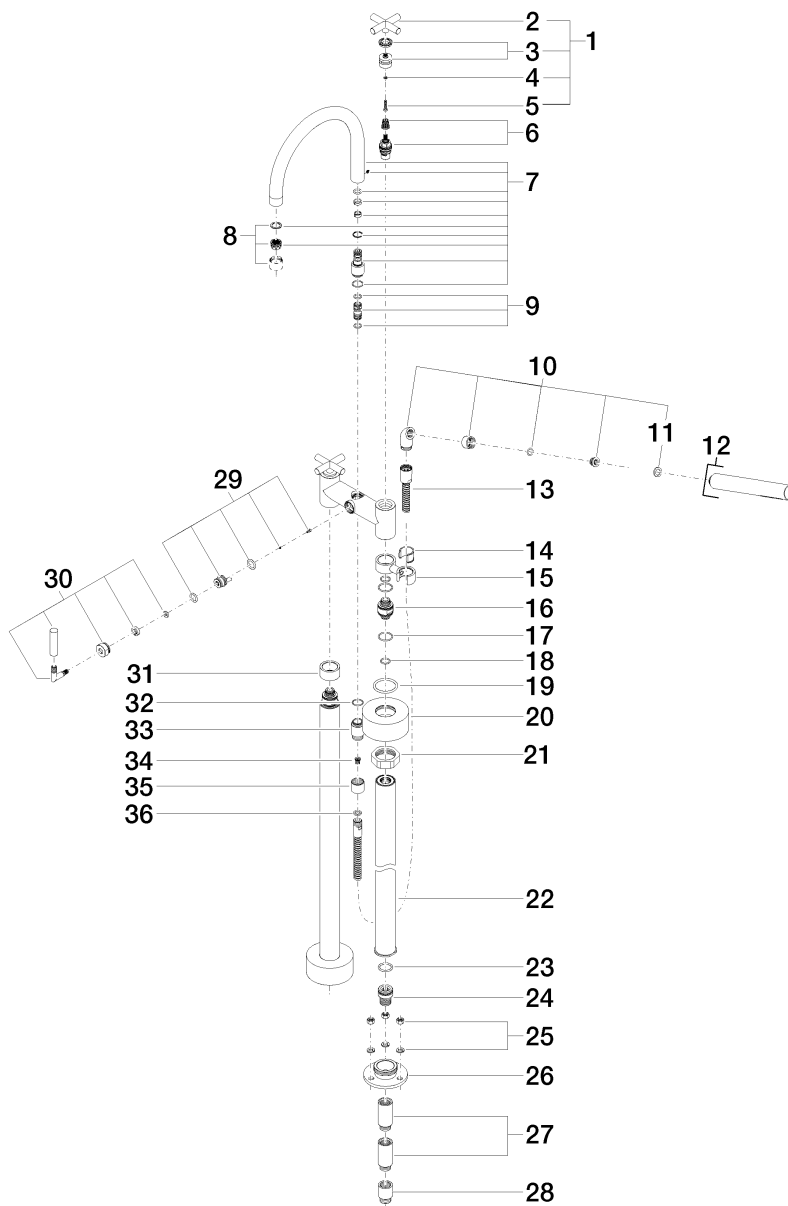
#### **Surfaces**

- chrome 25943892-00
- platinum matt 25943892-06
- platinum 25943892-08
- matt white 25943892-10
- matt black 25943892-33

#### **Accessories required**

- Floor fastening; 3594497090

**Exploded assembly drawing**



**Order quantity**

<b>No.</b>	<b>Article number</b>	<b>Name</b>	<b>Installation quantity</b>
1	04208901000ff	handle	2
2	092089010ff	handle	2
3	90121200700ff	base	2
4	09301102990	disc	2
5	09303007590	screw	2
6	9090031310090	top	2
7	90282222200ff	spout	1
8	90230102400ff	aerator	1
9	9021100110090	diverter	1
10	04240418900ff	nipple	1
11	09142000290	seal	1
12	28013979ff	shower	1
13	093002072ff	hose	1
14	09184003590	sleeve	1
15	04281002901ff	holder	1
16	09290502190	nipple	2
17	09141011290	seal	4
18	09141005590	seal	4
19	09141004190	seal	2
20	092789025ff	rosette	2
21	092330040-07	nut	2
22	04282200900ff	connection	2
23	09141008190	seal	2
24	092403094-07	nipple	2
25	0423100230090	fixing set	2
26	093011130-07	connection	2
27	0924030811090	extension	4
28	09240308090	extension	2
29	9015010050090	insert	1



---

<b>30</b>	90182002500ff	diverter	1
<b>31</b>	092810028ff	sleeve	1
<b>32</b>	09141003290	seal	1
<b>33</b>	092403121ff	nipple	1
<b>34</b>	09230113190	back-flow preventer	1
<b>35</b>	092102143ff	sleeve	1
<b>36</b>	09142002690	seal	1

**Flow rate chart**

