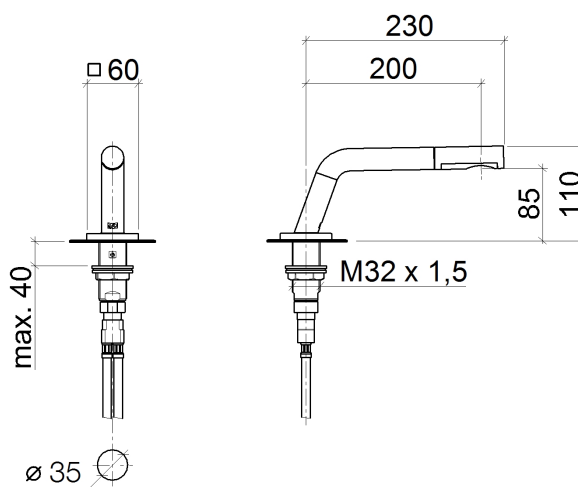




### Product specifications

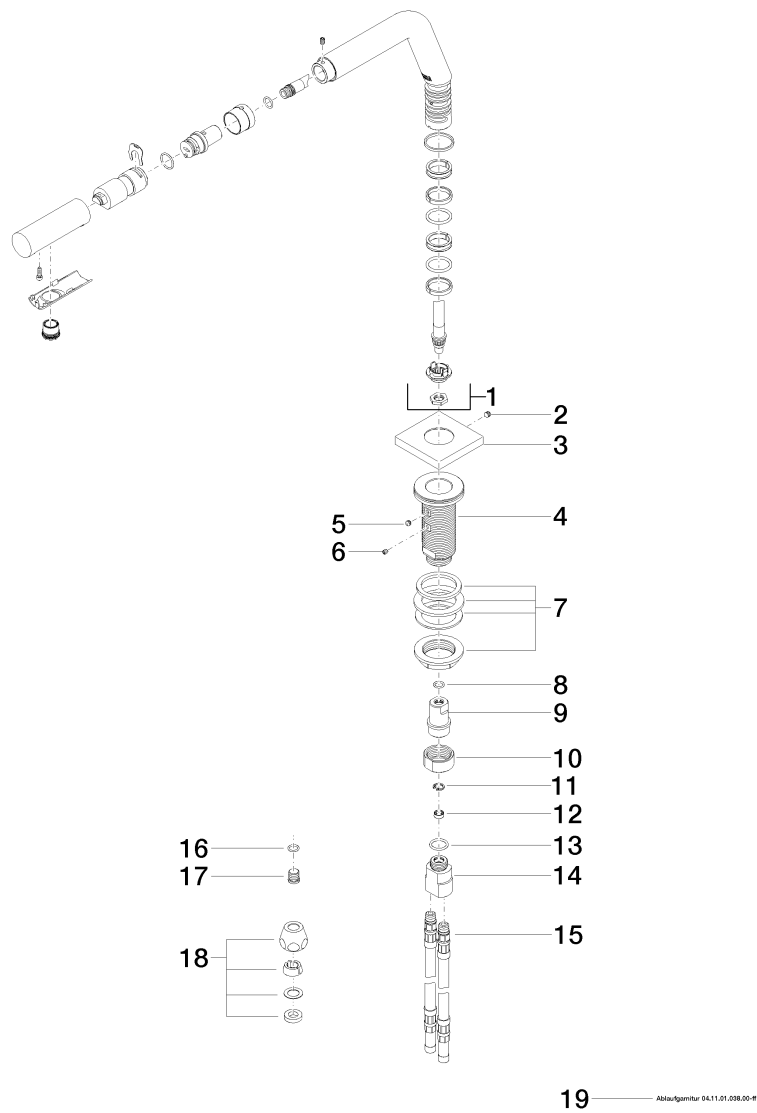
- **200 mm projection**
- pivotable spout 160°
- Perlator rotating by +/- 160°
- Aerator M 18.5 x 1 – male thread
- height of mixer 110 mm
- height up to aerator 85 mm
- hole diameter 35 mm
- 1 1/4" pop-up waste
- Max. flow 5 l/min
- lead-free
- rosette 60 x 60 mm



### Surfaces

- |                 |             |
|-----------------|-------------|
| • chrome        | 27750972-00 |
| • platinum matt | 27750972-06 |
| • platinum      | 27750972-08 |
| • Cyprum        | 27750972-49 |

**Exploded assembly drawing**



**Order quantity**

<b>No.</b>	<b>Article number</b>	<b>Name</b>	<b>Installation quantity</b>
<b>1</b>	90282225900ff	spout	1
<b>2</b>	09311111290	pin	1
<b>3</b>	092722043ff	rosette	1
<b>4</b>	093001195ff	connection	1
<b>5</b>	09311106390	pin	1
<b>6</b>	09311109990	pin	1
<b>7</b>	0423100090190	fixing set	1
<b>8</b>	09141006190	seal	1
<b>9</b>	09240323790	extension	1
<b>10</b>	09231009990	nut	1
<b>11</b>	09160101690	ring	1
<b>12</b>	09230103390	flow reducer	1
<b>13</b>	09141013090	seal	1
<b>14</b>	0911100551090	connection	1
<b>15</b>	0430040160090	hose	2
<b>16</b>	09141006090	seal	1
<b>17</b>	09312006590	plug	1
<b>18</b>	04233004000ff	threaded connector	2
<b>19</b>	10125970ff	pop-up waste	1

### Flow rate chart

