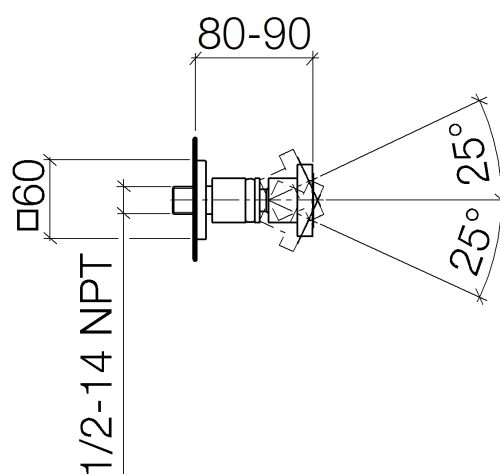




Product specifications

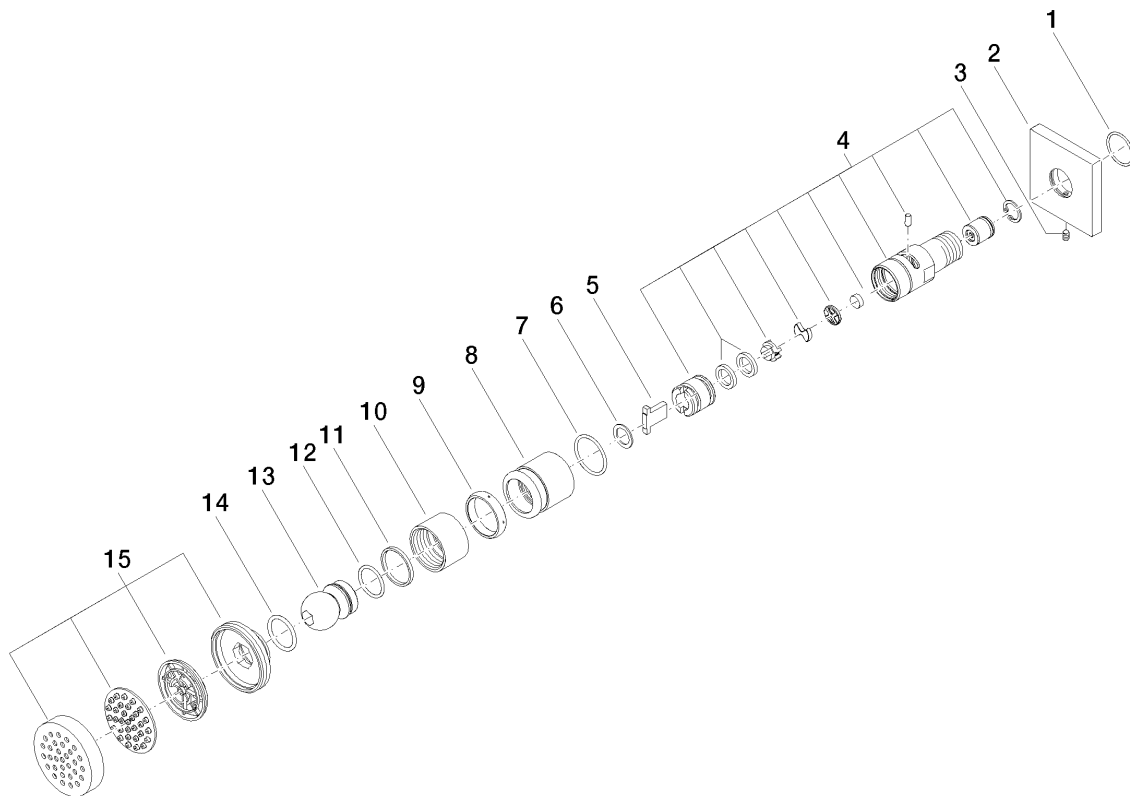
- rosette 60 x 60 mm
- anti-scale system
- ball-joint pivotable through 25° (in any direction)
- Max. flow 8 l/min
- 1/2" connection
- volume control with ceramic discs



Surfaces

- | | |
|-----------------|-------------|
| • chrome | 28519782-00 |
| • platinum matt | 28519782-06 |

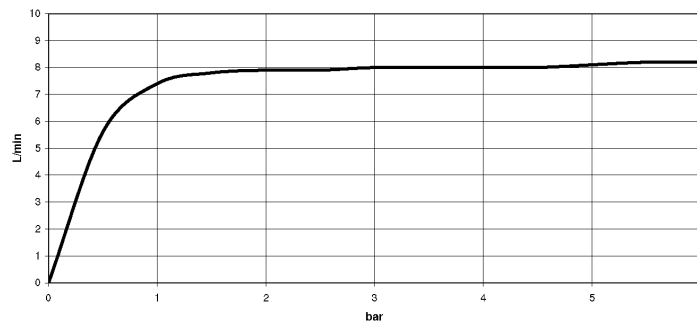
Exploded assembly drawing



Order quantity

No.	Article number	Name	Installation quantity
1	09141009890	seal	1
2	092798003ff	rosette	1
3	09311104890	pin	1
4	90120801400ff	casing (completely)	1
5	09182001490	base	1
6	09141501190	ring	1
7	09141006390	seal	1
8	092810049ff	ring	1
9	09140302290	seal	1
10	092330026ff	nut	1
11	09141501090	ring	1
12	09141003190	seal	1
13	092140011ff	connection	1
14	09141001590	seal	1
15	90120502700ff	casing (completely)	1

Flow rate chart



Trajectory diagram

