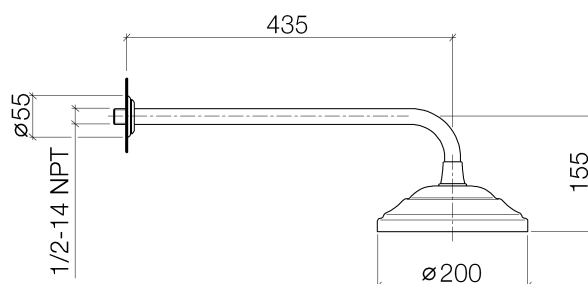




### Product specifications

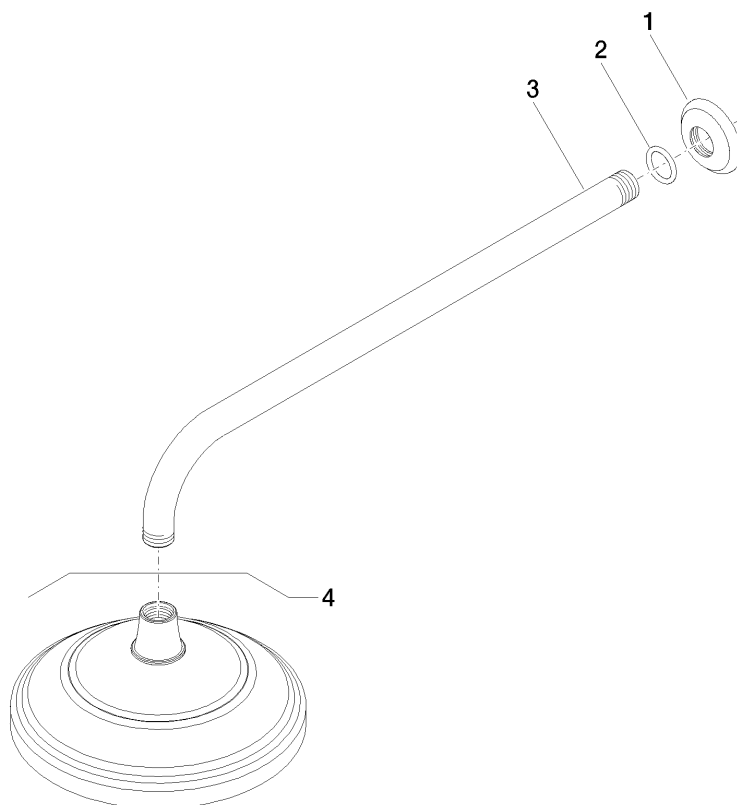
- **450 mm projection**
- 200 mm diameter rain shower with anti-scale system
- rosette  $\varnothing$  55 mm
- Max. flow 9 l/min
- 1/2" connection



### Surfaces

- |                 |             |
|-----------------|-------------|
| • chrome        | 28545977-00 |
| • platinum matt | 28545977-06 |
| • platinum      | 28545977-08 |
| • Durabrass     | 28545977-09 |

**Exploded assembly drawing**



**Order quantity**

<b>No.</b>	<b>Article number</b>	<b>Name</b>	<b>Installation quantity</b>
<b>1</b>	092735003ff	rosette	1
<b>2</b>	09141002690	seal	1
<b>3</b>	091103017ff	connection	1
<b>4</b>	28535977ff	shower	1

**Flow rate chart**

