



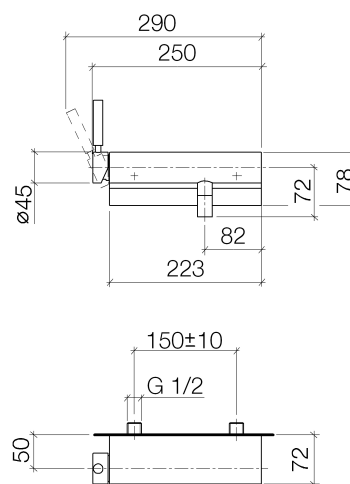
Product specifications

- back flow preventer in S connectors
- cartridge with ceramic discs
- **3/8" shower outlet**
- excenter connection (soundproofed)
- gauge 150 mm

Intrinsic protection against back flow.

For shower hoses with 1/2" connection, please order adapter 12 202 979-FF

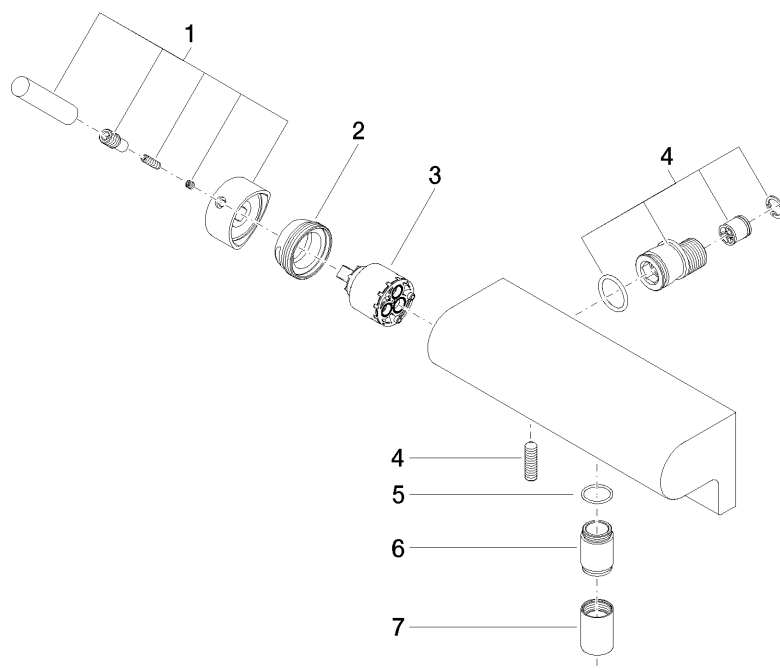
Only for combination with 26 403 625-FF / 26 402 625-FF / 27 805 625-FF / 27 806 625-FF



Surfaces

- chrome 33300885-00
- platinum matt 33300885-06

Exploded assembly drawing



Order quantity

No.	Article number	Name	Installation quantity
1	90208804800ff	handle	1
2	092404141ff	nut	1
3	09150503490	cartridge	1
4	9011040420090	connection	1
5	09141003290	seal	1
6	092403115ff	nipple	1
7	092102069ff	cover	1

Flow rate chart

