



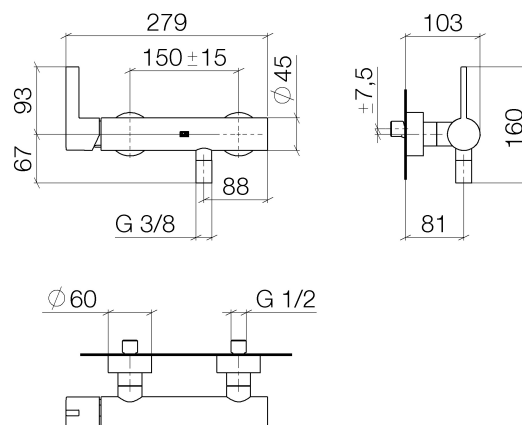
### Product specifications

- back flow preventer in shower outlet
- cartridge with ceramic discs
- slide-on rosettes  $\varnothing$  60 mm
- 3/8" connection
- concealed 1/2" x 3/4" S connectors (noise reduced)
- gauge 150 mm

Intrinsic protection against back flow.

For 1/2" shower hoses, please order adapter 12 202 979-FF.

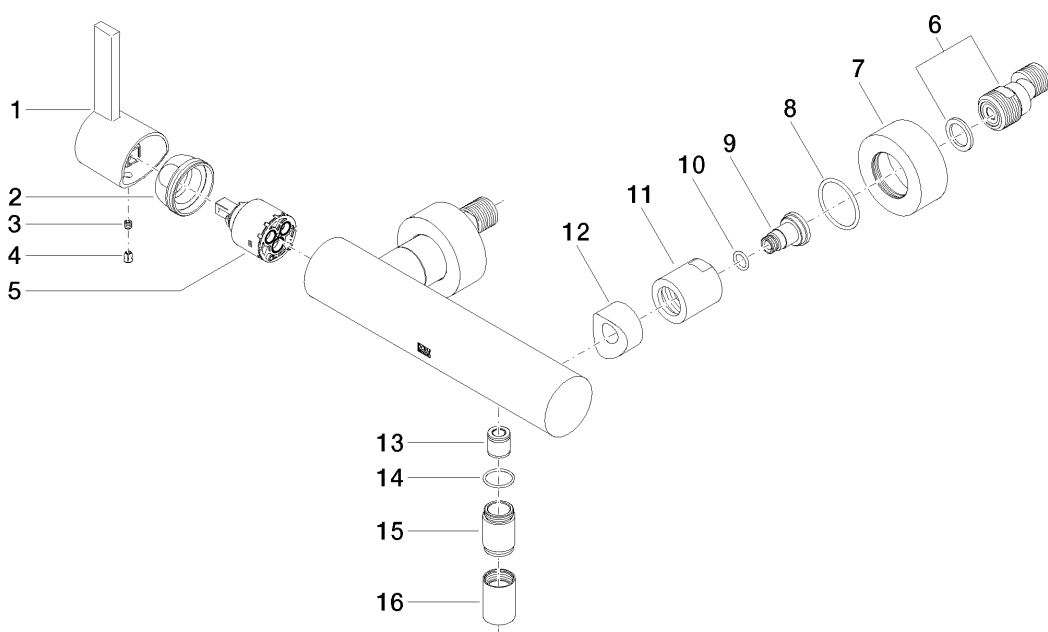
Available for delivery from the second quarter of 2015



### Surfaces

- chrome 33301670-00
- platinum matt 33301670-06

**Exploded assembly drawing**



**Order quantity**

<b>No.</b>	<b>Article number</b>	<b>Name</b>	<b>Installation quantity</b>
1	092067004ff	handle	1
2	092404107ff	nut	1
3	09311103090	pin	1
4	09312001790	plug	1
5	09150506290	cartridge	1
6	0411040300090	connection	2
7	092762004ff	rosette	2
8	09141011990	seal	2
9	092905005ff	nipple	2
10	09141000890	seal	2
11	092310048ff	nut	2
12	091840059ff	sleeve	2
13	09230104090	back-flow preventer	1
14	09141003290	seal	1
15	092403115ff	nipple	1
16	092102069ff	cover	1

**Flow rate chart**

