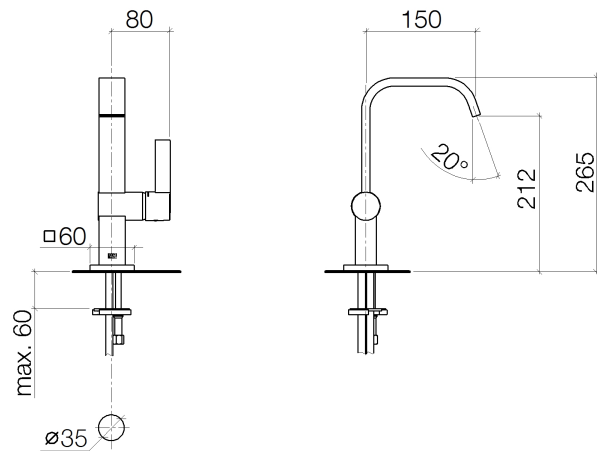




**Product specifications**

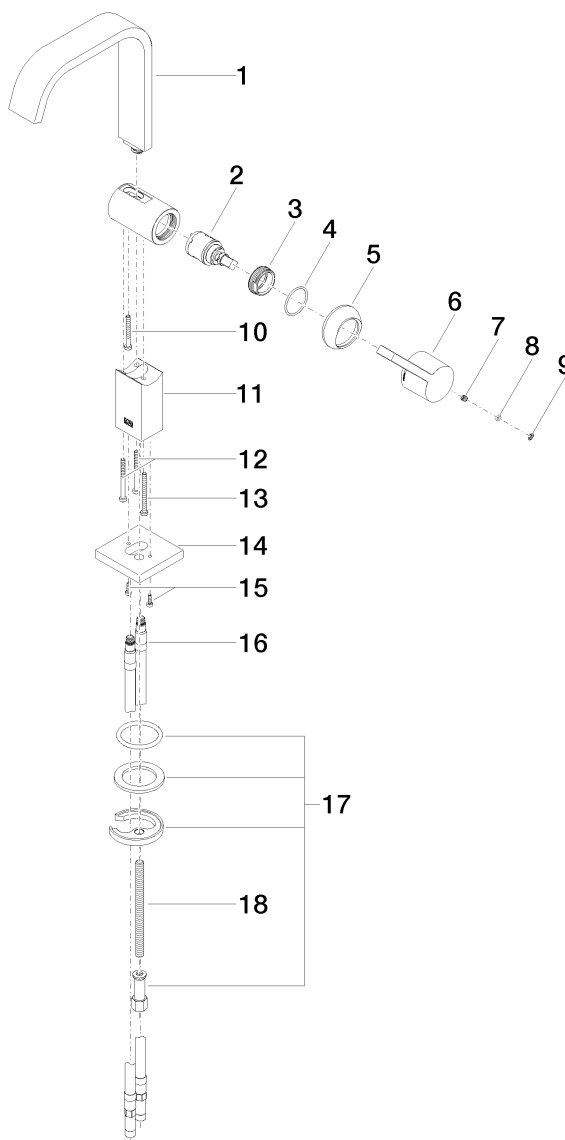
- **150 mm projection**
- fixed spout
- Aerator 32 x 8
- height of mixer 270 mm
- height up to aerator 223 mm
- cartridge with ceramic discs
- Max. flow 5.7 l/min
- lead-free
- rosette 60 x 60 mm



**Surfaces**

- chrome 33526670-00
- platinum matt 33526670-06

**Exploded assembly drawing**



**Order quantity**

<b>No.</b>	<b>Article number</b>	<b>Name</b>	<b>Installation quantity</b>
1	90282226600ff	spout	1
2	9015050420090	cartridge	1
3	09240426690	nut	1
4	09141012090	seal	1
5	092830019ff	cover	1
6	092067010ff	handle	1
7	09311103090	pin	1
8	09141013390	seal	1
9	093120087ff	plug	1
10	09303009790	screw	1
11	091967001ff	casing	1
12	09303008690	screw	2
13	09303009290	screw	1
14	092767013ff	rosette	1
15	09303016790	screw	1
16	0430040980090	hose	2
17	0430110387590	fixing set	1
18	09311101290	pin	1

**Flow rate chart**

