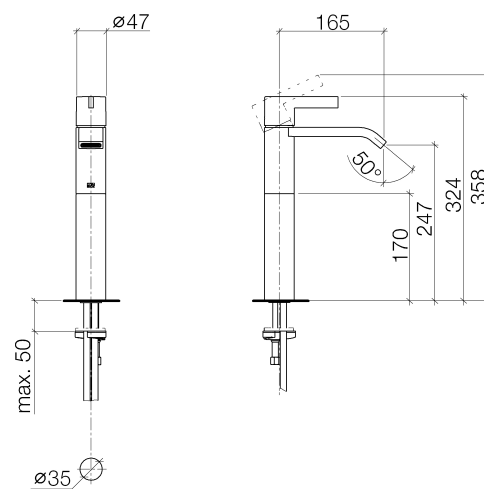




### Product specifications

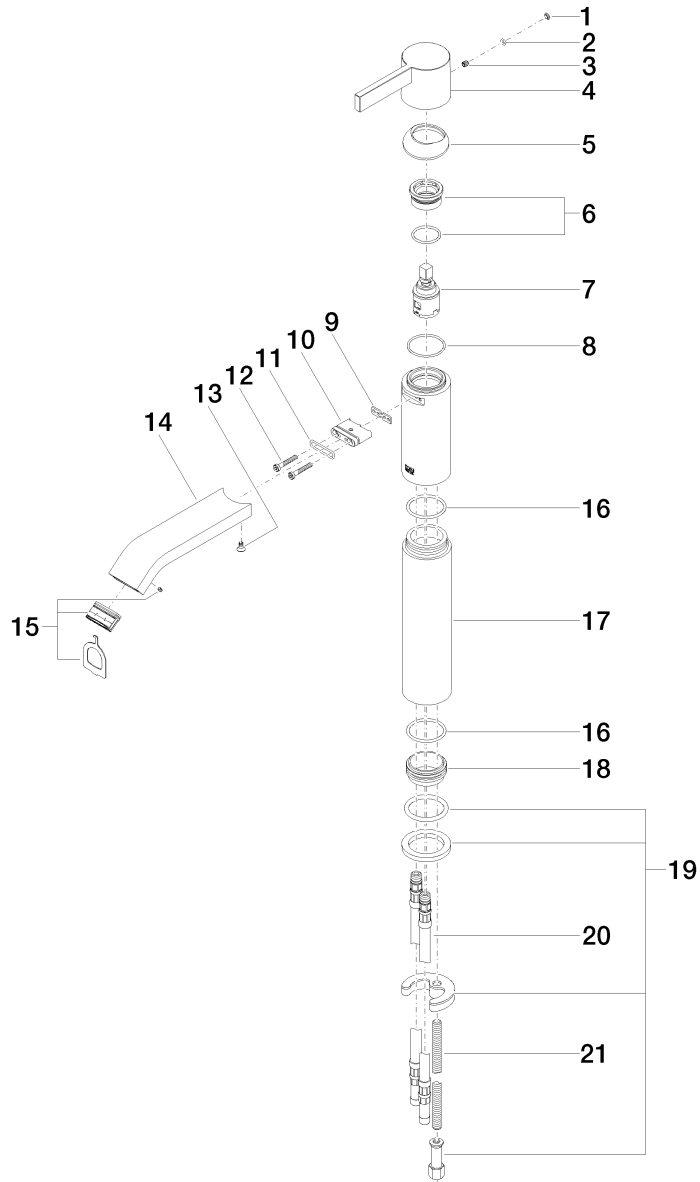
- **165 mm projection**
- with aerator
- height of mixer 360 mm
- height up to aerator 245 mm
- hole diameter 35 mm
- cartridge with ceramic discs
- 2x M 10 x 1 screw-in high pressure hose
- Max. flow 7 l/min
- lead-free



### Surfaces

- chrome 33537670-00
- platinum matt 33537670-06

**Exploded assembly drawing**



**Order quantity**

<b>No.</b>	<b>Article number</b>	<b>Name</b>	<b>Installation quantity</b>
1	093120087ff	plug	1
2	09141013390	seal	1
3	09311103090	pin	1
4	092067003ff	handle	1
5	092830019ff	cover	1
6	9023100660090	nut	1
7	9015050420090	cartridge	1
8	09141010290	seal	1
9	09140313190	seal	1
10	09110306190	connection	1
11	09141005390	seal	1
12	09303008490	screw	2
13	09303011690	screw	1
14	092822240ff	spout	1
15	9029030450090	aerator	1
16	09141011990	seal	2
17	092822244ff	pipe	1
18	092810109-07	ring	1
19	0430110856290	fixing set	1
20	0430040170090	hose	2
21	09311109590	pin	1

**Flow rate chart**

