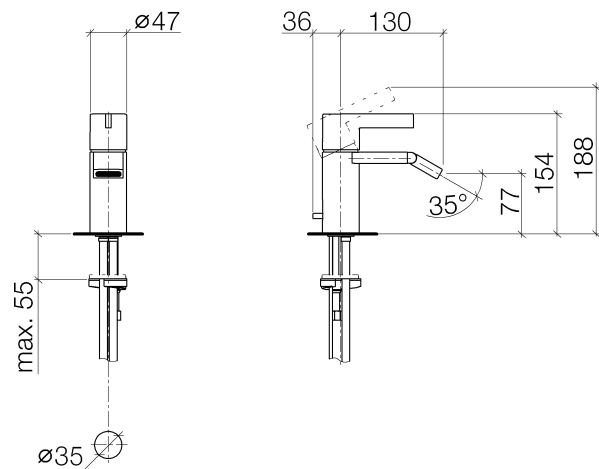




### Product specifications

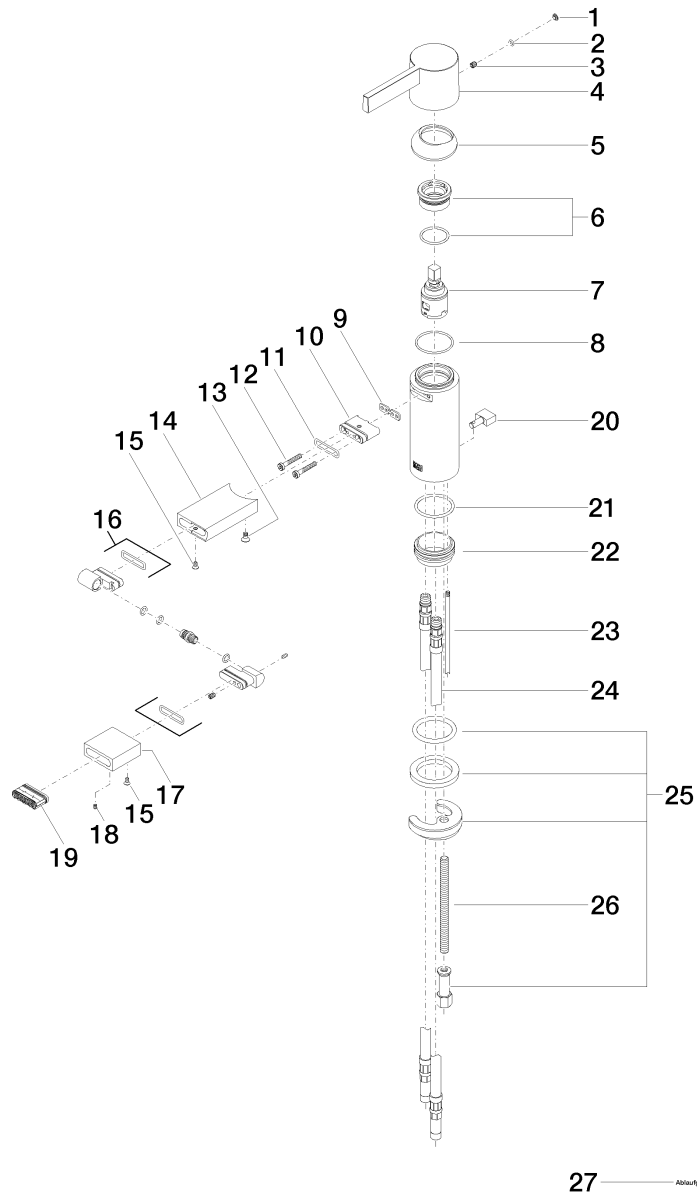
- **140 mm projection**
- 30° pivotable spout
- with aerator
- cartridge with ceramic discs
- 2x M 10 x 1 screw-in high pressure hose
- height of mixer 190 mm
- height up to aerator 70 mm
- hole diameter 35 mm
- **1 1/4" pop-up waste**
- Max. flow 7 l/min



### Surfaces

- chrome 33600670-00
- platinum matt 33600670-06

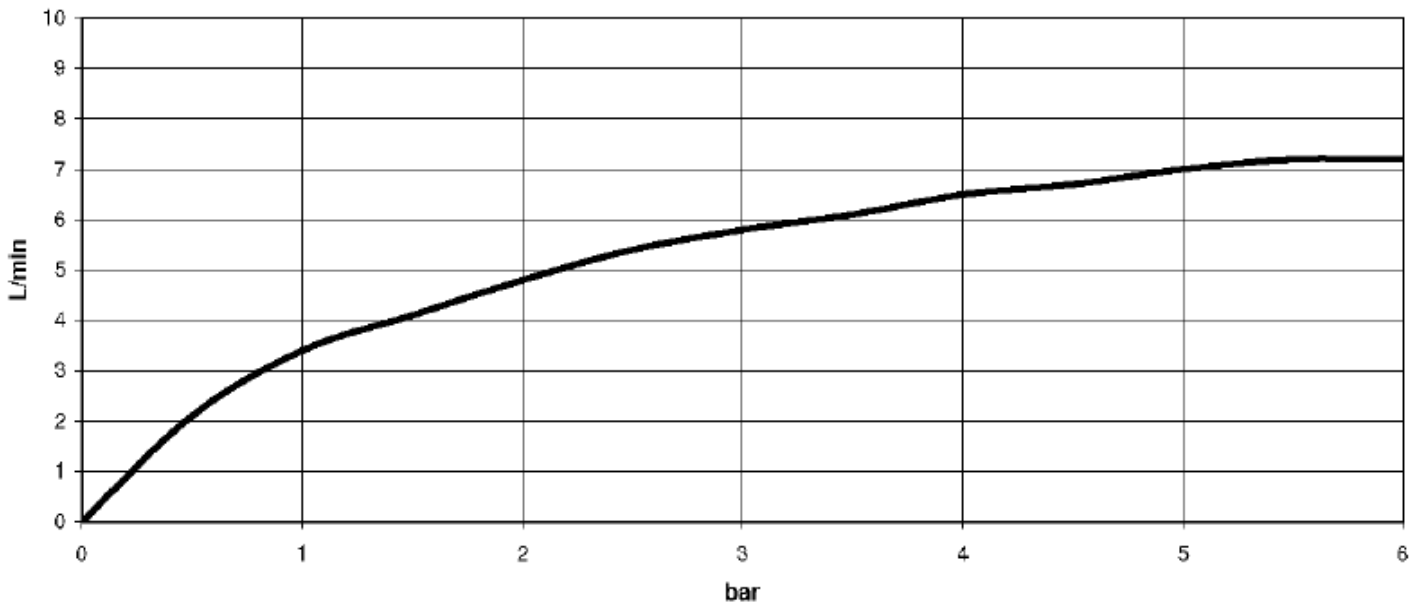
**Exploded assembly drawing**



**Order quantity**

<b>No.</b>	<b>Article number</b>	<b>Name</b>	<b>Installation quantity</b>
1	093120087ff	plug	1
2	09141013390	seal	1
3	09311103090	pin	1
4	092067003ff	handle	1
5	092830019ff	cover	1
6	9023100660090	nut	1
7	9015050420090	cartridge	1
8	09141010290	seal	1
9	09140313190	seal	1
10	09110306190	connection	1
11	09141005390	seal	1
12	09303008490	screw	2
13	09303011690	screw	1
14	092822246ff	spout	1
15	09303015790	screw	2
16	90240208300ff	joint	1
17	092301123ff	sleeve	1
18	09311106490	pin	1
19	9029030450090	aerator	1
20	092067002ff	handle	1
21	09141011990	seal	1
22	092810109-07	ring	1
23	093109080ff	pull-rod	1
24	0430040160090	hose	2
25	0430110856290	fixing set	1
26	09311101290	pin	1
27	04110100100ff	pop-up waste	1

### Flow rate chart



### Trajectory diagram

