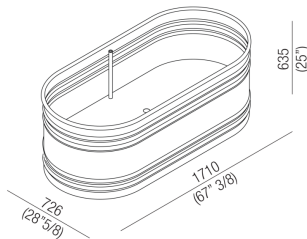




Bathtubs Vieques
AVAS0911_

Patricia Urquiola, 2008

Bathtub



Finishes



Steel painted white



Steel painted grey



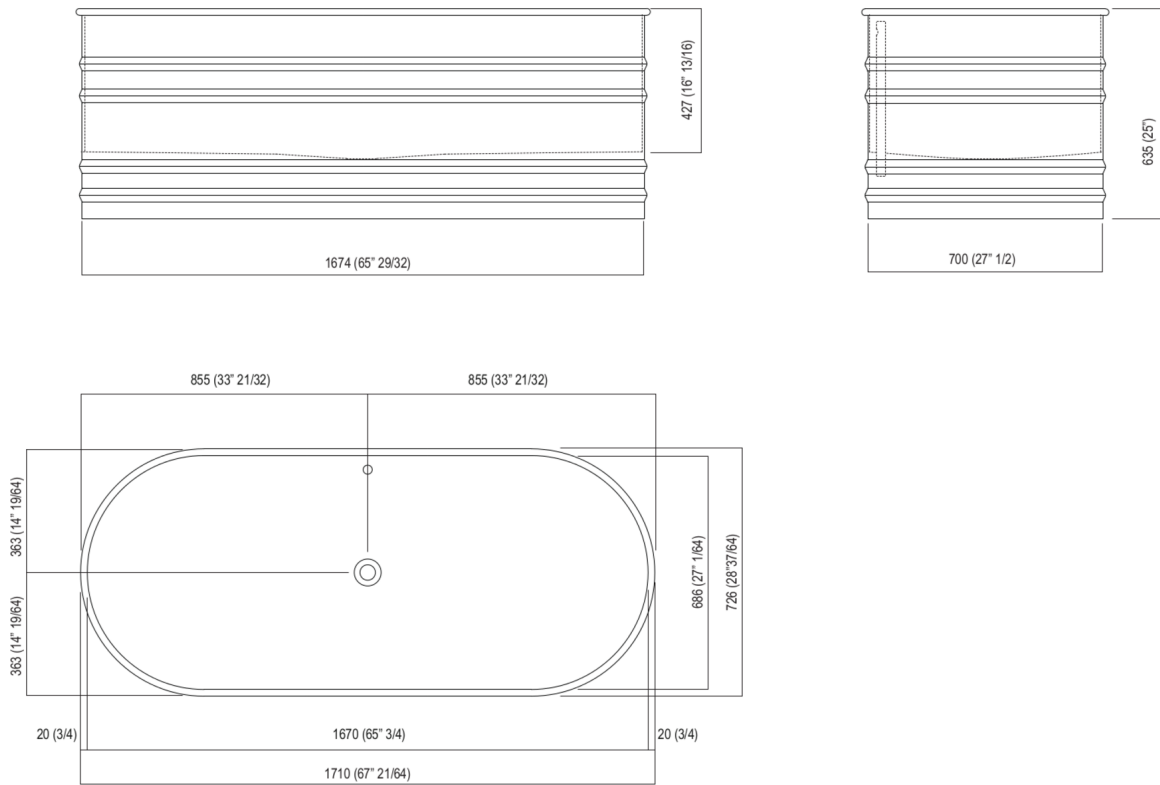
Oval steel bathtub painted white with dark grey exterior (RAL7021). With external overflow system painted white. Backrest and shelf in teak wood available as accessories, to be installed on bathtub edge. The bath must be fitted with waste trap .MET0433WU (.MET0434 for bathtubs on display).

Materials used: Steel.

Height:	63.5 cm	25" inches
Depth:	72.6 cm	28"5/8 inches
Lenght:	171.0 cm	67" 3/8 inches
Capacity:	370.0 l	98 gal
Weight:	85.0 kg	187 lbs
Packaging measurements:	87 x 185 x 70 cm	34"2/8 x 72"7/8 x 27"4/8 inches
Weight with packaging:	115.0 kg	254 lbs

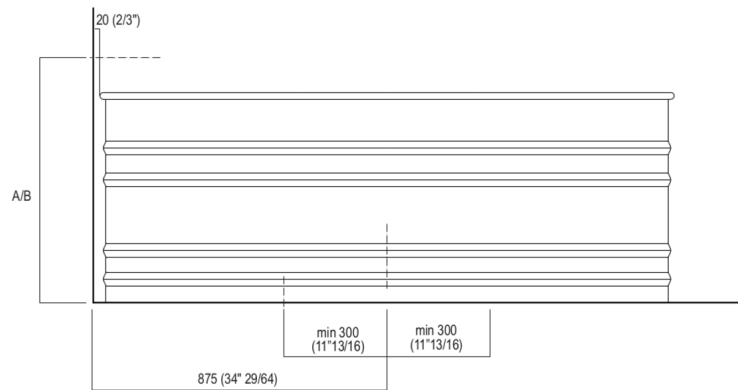
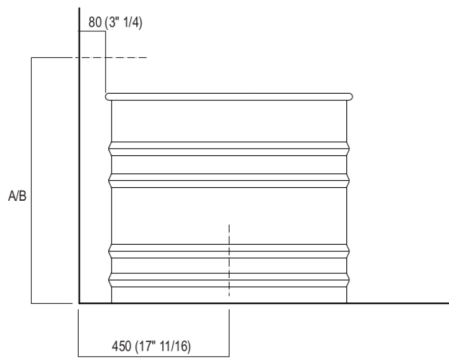


Main dimensions





Dimensions for wall mounted taps

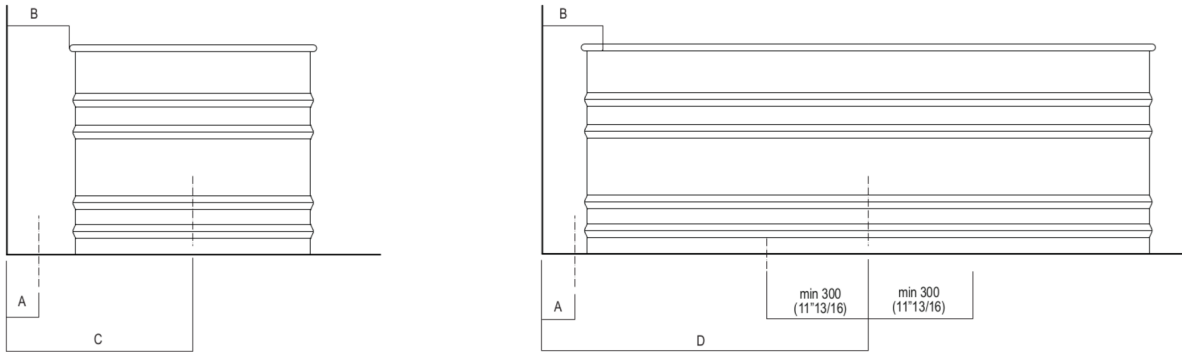


	A*	B**
FEZ (ARUB050000L, ARUB051000L, ARUB150000C, ARUB151000C, ARUB1089S, ARUB190000C, ARUB191000C, ARUB1091S)	730 (28"47/64)	-
MEMORY (ARUB1076S, ARUB1077S, ARUB1040S)	730 (28"47/64)	-
SUITE (ARUB1107S)	730 (28"47/64)	-
SQUARE (ARUB0932N, ARUB0933N)	-	730 (28"47/64)
SEN (ASEN0912V)	-	780 (30"45/64)

* inserasse gruppo / axial distance for tap
 ** filo inferiore gruppo / Tap's lower edge



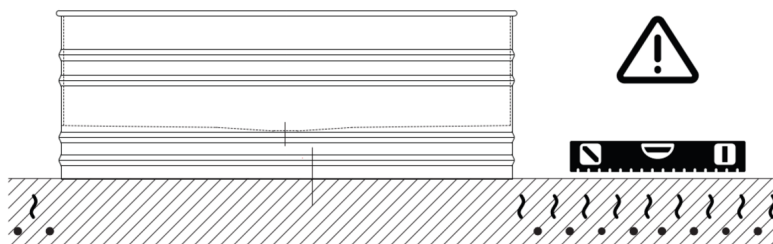
Dimensions for freestanding spouts



	A	B	C	D
FEZ (ARUB140, RAUB145, ARUB170N)	80 (3"1/8)	170 (6"11/16)	540 (21"17/64)	1025 (40"23/64)
MEMORY (ARUB1078, ARUB1072, ARUB1033)	80 (3"1/8)	170 (6"11/16)	540 (21"17/64)	1025 (40"23/64)
SQUARE (ARUB0961L, ARUB0934L, ARUB0935NL, ARUB0936NL, ARUB0952L, ARUB1024N)	80 (3"1/8)	140 (5"33/64)	520 (20"15/32)	1005 (39"19/16)
SUITE (ARUB1108S)	80 (3"1/8)	170 (6"11/16)	540 (21"17/64)	1025 (40"23/64)
SEN (ASEN0911)	80 (3"1/8)	140 (5"33/64)	520 (20"15/32)	1005 (39"19/16)



Note



La vasca deve essere installata su un pavimento perfettamente piano.
The bathtub must be positioned on a flat floor surface.

Evitare di realizzare impianti di riscaldamento nell'area sottostante la vasca.
Avoid the installation of floor heating plants in the area under the bathtub.