

2017

BX990 L 70 x P 37 x H 25

Wall hung vanity unit H25 - 1 DRAWER

TOP NOT INCLUDED

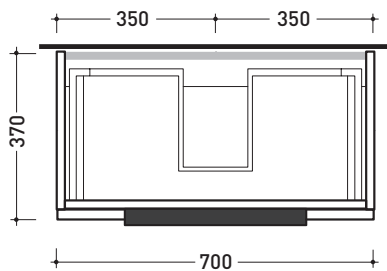
Complements: **countertop basins:**
Boll 42 (BL42L) / **Boll 56** (BL56L) / **Monò 54** (MN54L) /
NudaSlim 60 (ND60L / ND60PR) / **NudaSlim 75** (ND75L /
 ND75PR) / **Pass 39** (PS39LM) / **Pass 60** (PS60A) / **Pass 62** (PS62C)
 / **Pass 65** (PS65AT) / **Saltodacqua** (SD42L) / **Void 44** (VD44L)
Mirrors line: SIMPLE, MAKE-UP

Technical accessories: **Chrome space saving basin siphon**

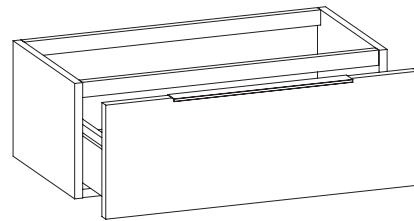
Package dim. | Weight **12,6 kg** | Pz. Pallet n° -



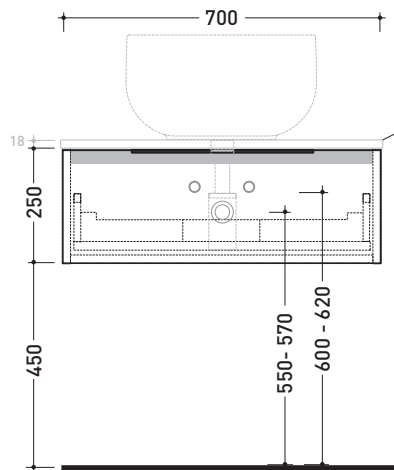
CE



vista zenitale / zenital view

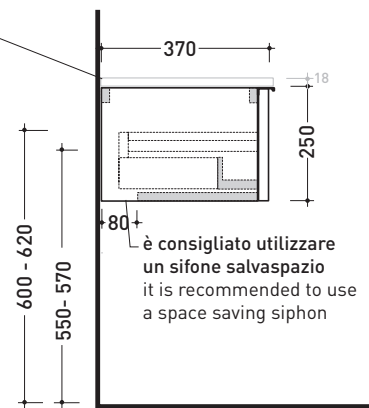


assonometria / axonometry



vista frontale / frontal view

TOP ESCLUSO
TOP NOT INCLUDED



sezione longitudinale / section

sizes in mm

WOOD: finish



OK Arly | OJ Bianco | OJ Grigio | OJ Canapa

<http://www.ceramicaflaminia.it/en/products/342-box>

©ceramicaflaminiaspa - All rights reserved. Unauthorized copying, publication, reproduction as well as partial reproduction are prohibited

may 2018



2017

BX992 L 85 x P 37 x H 25

Wall hung vanity unit H25 - 1 DRAWER

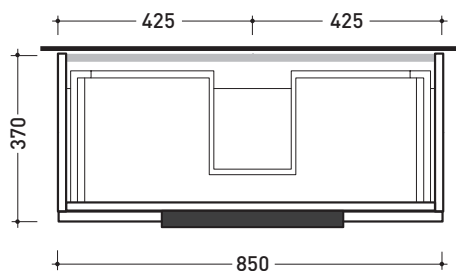
TOP NOT INCLUDED

Complements: **countertop basins:**
Boll 42 (BL42L) / **Boll 56** (BL56L) / **Monò 54** (MN54L) /
NudaSlim 60 (ND60L / ND60PR) / **NudaSlim 75** (ND75L /
 ND75PR) / **Pass 39** (PS39LM) / **Pass 60** (PS60A) / **Pass 62** (PS62C)
 / **Pass 65** (PS65AT) / **Saltodacqua** (SD42L) / **Void 44** (VD44L)
Mirrors line: SIMPLE, MAKE-UP

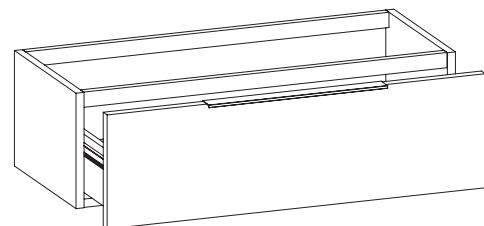
Technical accessories: **Chrome space saving basin siphon**

Package dim. | Weight **13,8 kg** | Pz. Pallet n° -

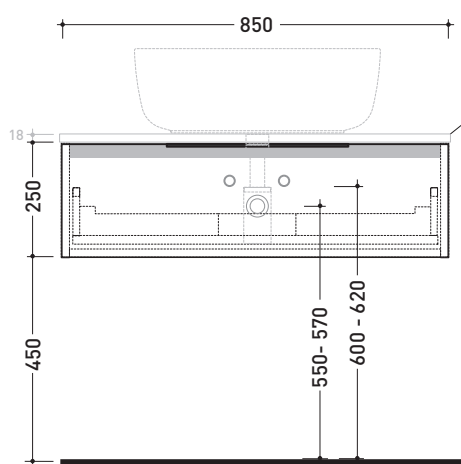
CE



vista zenitale / zenital view

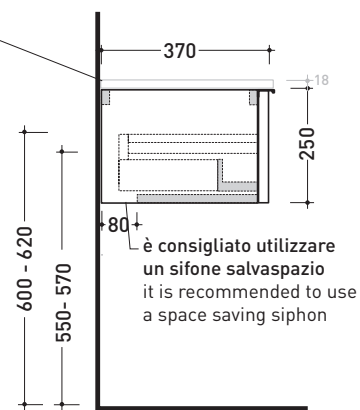


assonometria / axonometry



vista frontale / frontal view

TOP ESCLUSO
TOP NOT INCLUDED



sezione longitudinale / section

sizes in mm

WOOD: finish



OK Arly | OJ Bianco | OJ Grigio | OJ Canapa

<http://www.ceramicaflaminia.it/en/products/342-box>

©ceramicaflaminiaspa - All rights reserved. Unauthorized copying, publication, reproduction as well as partial reproduction are prohibited

may 2018



2017

BX994 L 95 x P 37 x H 25

Wall hung vanity unit H25 - 1 DRAWER

TOP NOT INCLUDED

Complements: **countertop basins:**

Boll 42 (BL42L) / **Boll 56** (BL56L) / **Monò 54** (MN54L) /
NudaSlim 60 (ND60L / ND60PR) / **NudaSlim 75** (ND75L /
 ND75PR) / **Pass 39** (PS39LM) / **Pass 60** (PS60A) / **Pass 62** (PS62C)
 / **Pass 65** (PS65AT) / **Saltodacqua** (SD42L) / **Void 44** (VD44L)
Mirrors line: SIMPLE, MAKE-UP

Technical accessories:

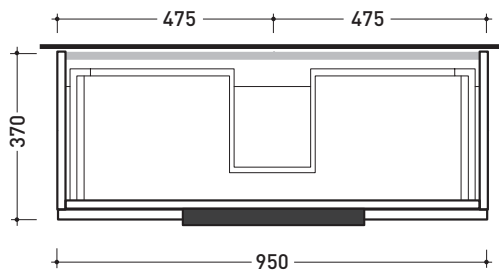
Chrome space saving basin siphon

Package dim.

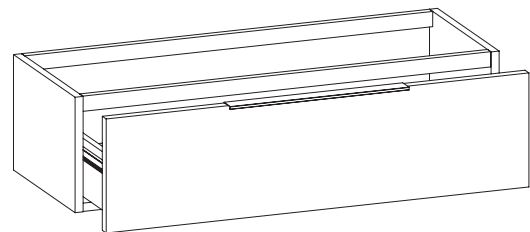
Weight **15,1 kg**

Pz. Pallet n° -

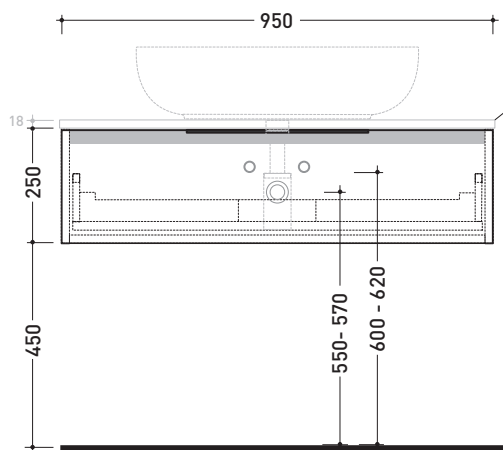
CE



vista zenitale / zenital view

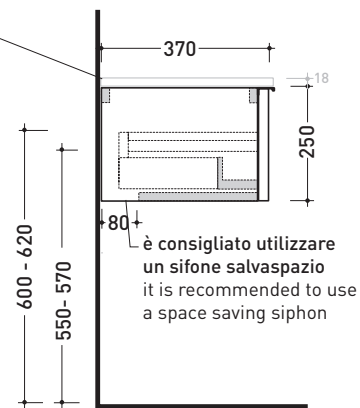


assonometria / axonometry



vista frontale / frontal view

TOP ESCLUSO
TOP NOT INCLUDED



sezione longitudinale / section

sizes in mm

WOOD: finish



OK Arly



OJ Bianco



OJ Grigio



OJ Canapa

2017

BX968 L 105 x P 37 x H 25

Wall hung vanity unit H25 - 1 DRAWER

TOP NOT INCLUDED

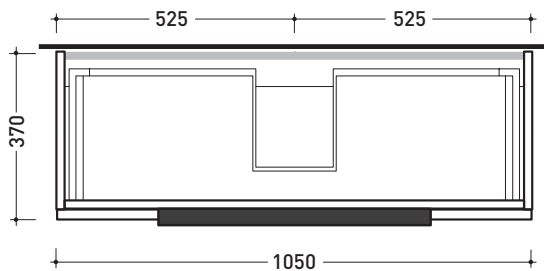
Complements: **countertop basins:**
Boll 42 (BL42L) / **Boll 56** (BL56L) / **Monò 54** (MN54L) /
NudaSlim 60 (ND60L / ND60PR) / **NudaSlim 75** (ND75L /
 ND75PR) / **Pass 39** (PS39LM) / **Pass 60** (PS60A) / **Pass 62** (PS62C)
 / **Pass 65** (PS65AT) / **Saltodacqua** (SD42L) / **Void 44** (VD44L)
Mirrors line: SIMPLE, MAKE-UP

Technical accessories: **Chrome space saving basin siphon**

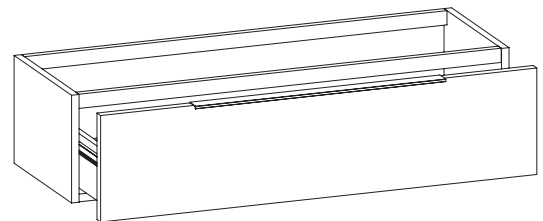
Package dim. | Weight **17,3 kg** | Pz. Pallet n° -



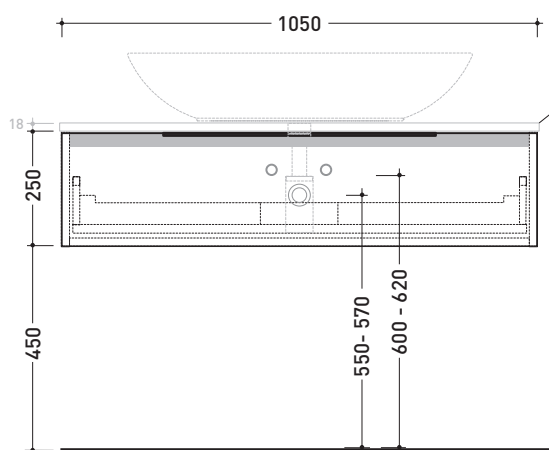
CE



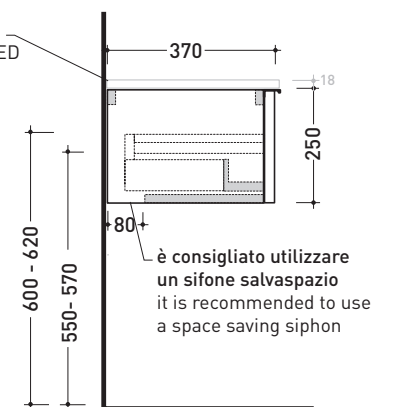
vista zenitale / zenital view



assonometria / axonometry



vista frontale / frontal view



sezione longitudinale / section

sizes in mm

WOOD: finish



OK Arly | OJ Bianco | OJ Grigio | OJ Canapa

<http://www.ceramicaflaminia.it/en/products/342-box>

©ceramicaflaminiaspa - All rights reserved. Unauthorized copying, publication, reproduction as well as partial reproduction are prohibited

may 2018



COMPATIBLE COUNTERTOP BASINS

VANITY UNIT DEPTH: CM 37

Boll 42	art. BL42L
Boll 56	art. BL56L
Monò 54	art. MN54L
NudaSlim 60	art. ND60L
NudaSlim 60	art. ND60PR
NudaSlim 75	art. ND75L
NudaSlim 75	art. ND75PR
Pass 39	art. PS39LM
Pass 60	art. PS60A
Pass 65	art. PS65AT
Pass 62	art. PS62C
Saltodacqua	art. SD42L
Void 44	art. VD44L

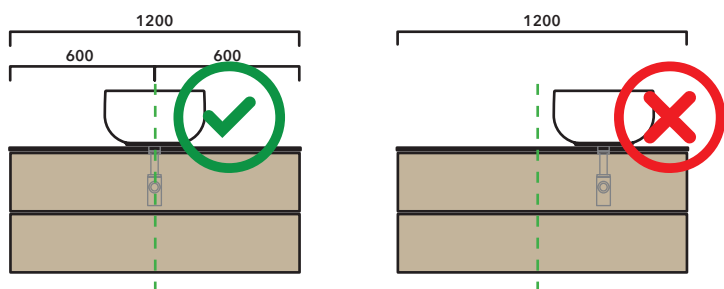
INDICATIONS FOR THE REALIZATION OF COMPOSITIONS

Taking care to the difference between **VANITY** or **WALL HUNG UNITS**:

- The drawer and the back of **VANITY UNIT** are cutted to permit the siphon installation.
- **WALL HUNG UNIT** are completely closed.

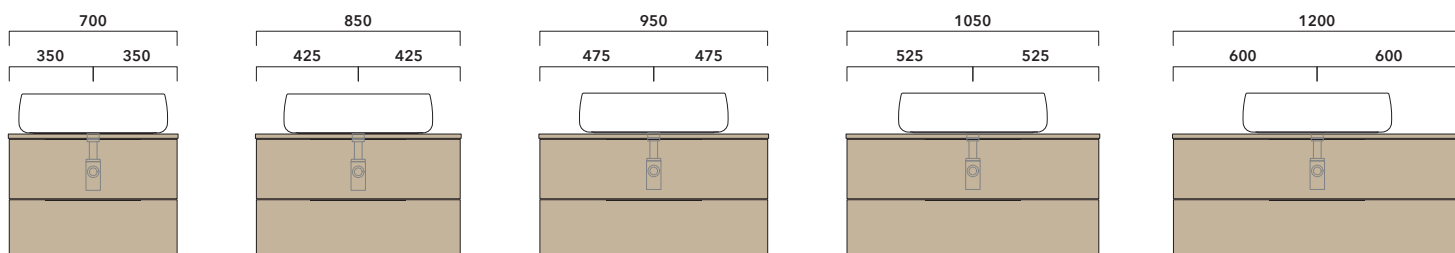
WARNING:

THE BASIN IS ALWAYS IN THE CENTRE OF THE WALL HUNG VANITY UNIT



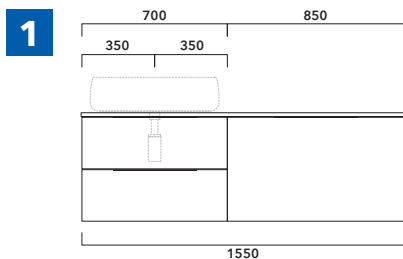
WARNING:

TOP IS NOT INCLUDED

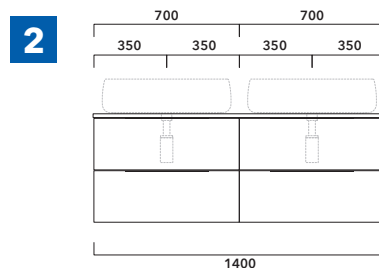


Vanity units are suitable for **COUNTERTOP BASIN** only (NOT for recessed, semi-inset or undercounter ones).

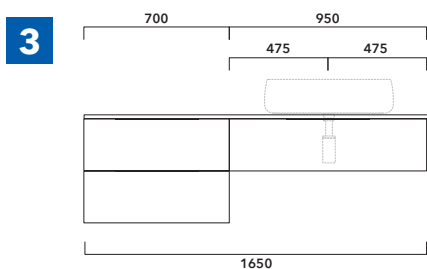
EXAMPLES OF COMPOSITIONS



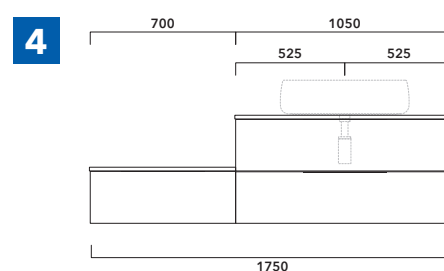
1 | depth cm 37:
n.1 **BX808** + n.1 **BX426** + **BXPR38** cm 155



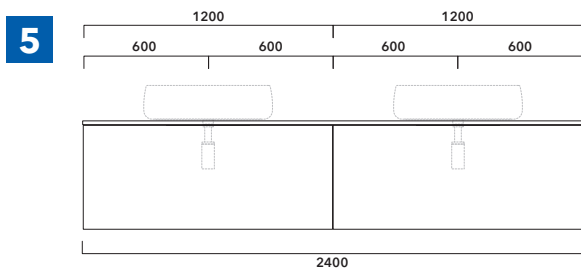
2 | depth cm 37:
n.2 **BX808** + **BXPR38** cm 140



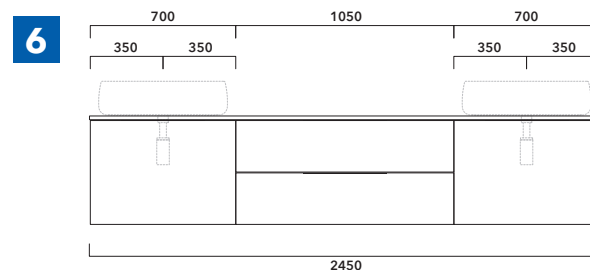
3 | depth cm 37:
n.1 **BX424** + n. 1 **BX994** + **BXPR38** cm 165



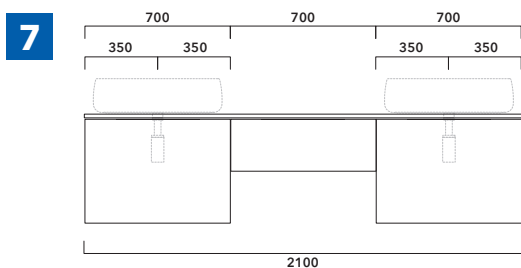
4 | depth cm 37:
n.1 **BX296** + n. 1 **BX838** + **BXPR38** cm 70 + **BXPR38** cm 105



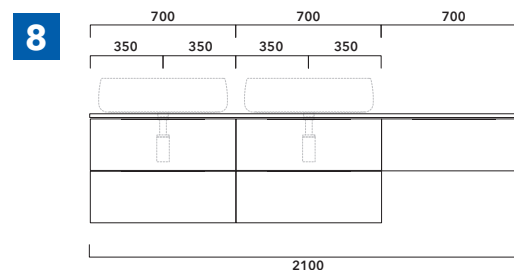
5 | depth cm 37:
n.2 **BX944** + **BXPR38** cm 240



6 | depth cm 37:
n.2 **BX804** + n.1 **BX436** + **BXPR38** cm 245



7 | depth cm 37:
n.2 **BX804** + n. 1 **BX296** + **BXPR38** cm 210



8 | depth cm 37:
n.2 **BX808** + n. 1 **BX296** + **BXPR38** cm 210

➔ **FLAMINIA.** MODULO PER LA REALIZZAZIONE DELLE COMPOSIZIONI MOBILI **BOX**
CUSTOMIZED COMPOSITION FORM FOR **BOX** UNITS



E' obbligatorio fotocopiare questa pagina, compilarla con cura e allegarla all'ordine.
It is compulsory to photocopy this page, carefully fill in and attach to the order.

➔➔ **1** DETTAGLI ORDINE / ORDER DETAILS

ordinante - buyer _____ cliente - client _____

ordine - order n: _____ data - date: _____ ref.: _____

annotazioni - notes _____

➔➔ **2** PROFONDITÀ MOBILE / UNIT DEPTH É importante consultare il listino prezzi / It's important to consult price list

CM 37

CM 50

➔➔ **3** DISEGNO / DRAWING



➔➔ **4** ELENCO ARTICOLI / ARTICLE LIST É importante consultare il listino prezzi / It's important to consult price list

art. _____ dim. _____ art. _____ dim. _____

art. _____ dim. _____ art. _____ dim. _____

art. _____ dim. _____ art. _____ dim. _____

➔➔ **5** LAVABO DA APPOGGIO / COUTERTOP BASIN

FLAMINIA lavabo/basin art. _____

NO FLAMINIA lavabo/basin
(allegare scheda tecnica / enclose a technical drawing)

➔➔ **6** SCELTA FINITURA / FINISH SELECTION

OK ARLY

OJ BIANCO

OJ GRIGIO

OJ CANAPA