

2017

BX808 L 70 x P 37 x H 50

Wall hung vanity unit H50 - 2 DRAWERS

TOP NOT INCLUDED

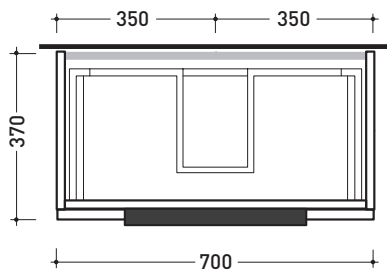
Complements: **countertop basins:**
Boll 42 (BL42L) / **Boll 56** (BL56L) / **Monò 54** (MN54L) /
NudaSlim 60 (ND60L / ND60PR) / **NudaSlim 75** (ND75L /
 ND75PR) / **Pass 39** (PS39LM) / **Pass 60** (PS60A) / **Pass 62** (PS62C)
 / **Pass 65** (PS65AT) / **Saltodacqua** (SD42L) / **Void 44** (VD44L)
Mirrors line: SIMPLE, MAKE-UP

Technical accessories: **Chrome siphon** (SIFL/CR)
Telescopic chrome siphon (SIFL066)

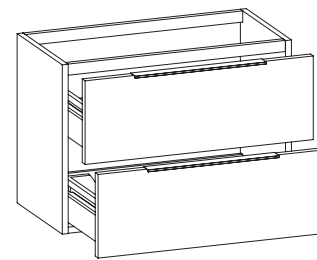
Package dim. | Weight **17,6 kg** | Pz. Pallet n° -



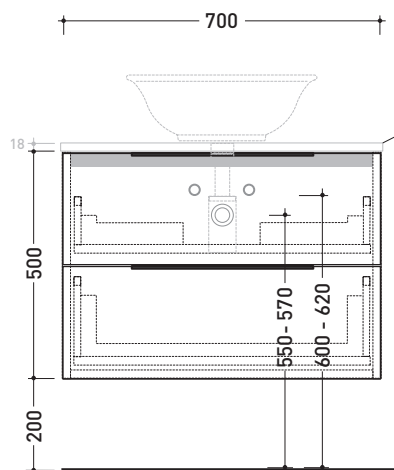
CE



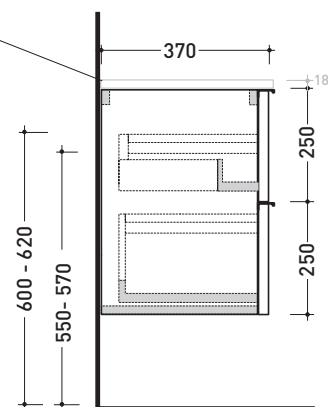
vista zenitale / zenital view



assonometria / axonometry



vista frontale / frontal view



sezione longitudinale / section

sizes in mm

WOOD: finish



OK Arly



OJ Bianco



OJ Grigio



OJ Canapa

2017

BX814 L 85 x P 37 x H 50

Wall hung vanity unit H50 - 2 DRAWERS

TOP NOT INCLUDED

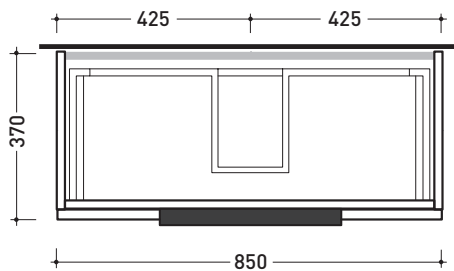
Complements: **countertop basins:**
Boll 42 (BL42L) / **Boll 56** (BL56L) / **Monò 54** (MN54L) /
NudaSlim 60 (ND60L / ND60PR) / **NudaSlim 75** (ND75L /
 ND75PR) / **Pass 39** (PS39LM) / **Pass 60** (PS60A) / **Pass 62** (PS62C)
 / **Pass 65** (PS65AT) / **Saltodacqua** (SD42L) / **Void 44** (VD44L)
Mirrors line: SIMPLE, MAKE-UP

Technical accessories: **Chrome siphon** (SIFL/CR)
Telescopic chrome siphon (SIFL066)

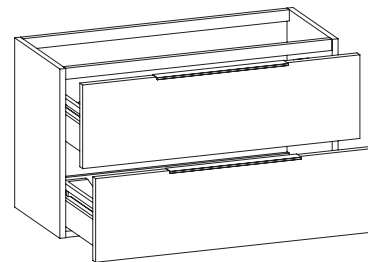
Package dim. | Weight **23,4 kg** | Pz. Pallet n° -



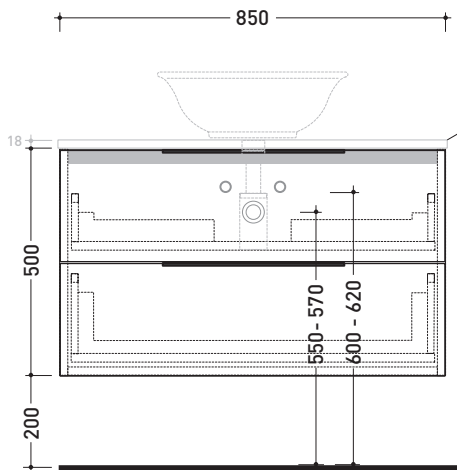
CE



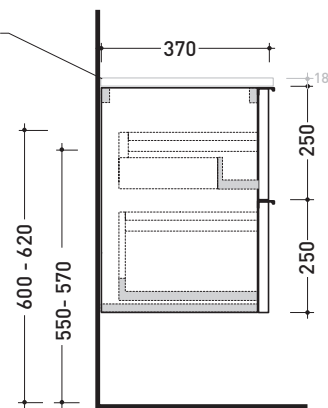
vista zenitale / zenital view



assonometria / axonometry



vista frontale / frontal view



sezione longitudinale / section

sizes in mm

WOOD: finish



OK Arly



OJ Bianco



OJ Grigio



OJ Canapa

2017

BX826 L 95 x P 37 x H 50

Wall hung vanity unit H50 - 2 DRAWERS

TOP NOT INCLUDED

Complements: **countertop basins:**

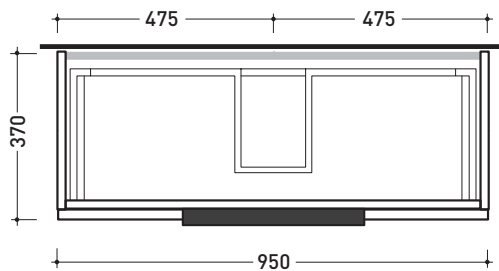
Boll 42 (BL42L) / **Boll 56** (BL56L) / **Monò 54** (MN54L) /
NudaSlim 60 (ND60L / ND60PR) / **NudaSlim 75** (ND75L /
 ND75PR) / **Pass 39** (PS39LM) / **Pass 60** (PS60A) / **Pass 62** (PS62C)
 / **Pass 65** (PS65AT) / **Saltodacqua** (SD42L) / **Void 44** (VD44L)
Mirrors line: SIMPLE, MAKE-UP

Technical accessories: **Chrome siphon** (SIFL/CR)
Telescopic chrome siphon (SIFL066)

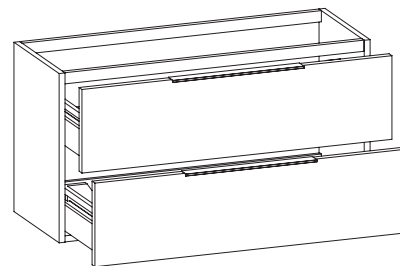
Package dim. | Weight **25,2 kg** | Pz. Pallet n° -



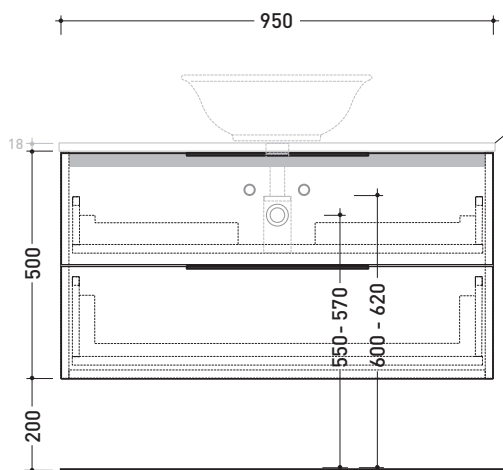
CE



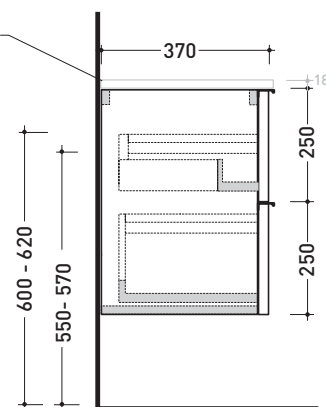
vista zenitale / zenital view



assonometria / axonometry



vista frontale / frontal view



sezione longitudinale / section

sizes in mm

WOOD: finish



OK Arly



OJ Bianco



OJ Grigio



OJ Canapa

2017

BX838 L 105 x P 37 x H 50

Wall hung vanity unit H50 - 2 DRAWERS

TOP NOT INCLUDED

Complements: **countertop basins:**

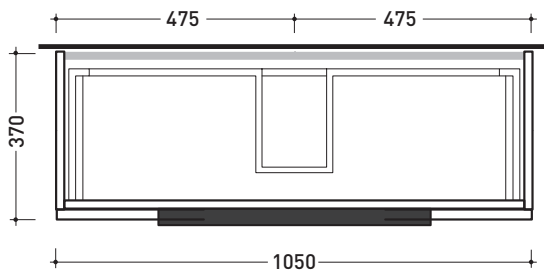
Boll 42 (BL42L) / **Boll 56** (BL56L) / **Monò 54** (MN54L) /
NudaSlim 60 (ND60L / ND60PR) / **NudaSlim 75** (ND75L /
 ND75PR) / **Pass 39** (PS39LM) / **Pass 60** (PS60A) / **Pass 62** (PS62C)
 / **Pass 65** (PS65AT) / **Saltodacqua** (SD42L) / **Void 44** (VD44L)
Mirrors line: SIMPLE, MAKE-UP

Technical accessories: **Chrome siphon** (SIFL/CR)
Telescopic chrome siphon (SIFL066)

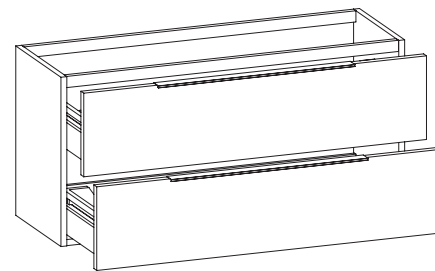
Package dim. | Weight **26,3 kg** | Pz. Pallet n° -



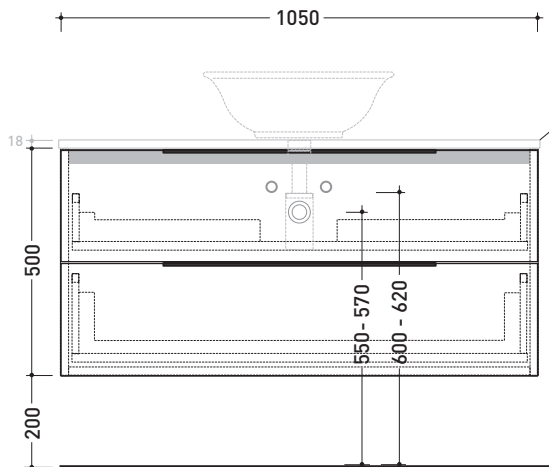
CE



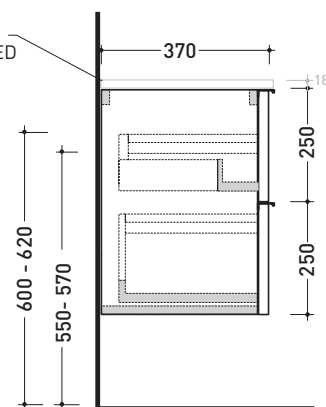
vista zenitale / zenital view



assonometria / axonometry



vista frontale / frontal view



sezione longitudinale / section

sizes in mm

WOOD: finish



OK Arly | OJ Bianco | OJ Grigio | OJ Canapa

<http://www.ceramicaflaminia.it/en/products/342-box>

©ceramicaflaminiaspa - All rights reserved. Unauthorized copying, publication, reproduction as well as partial reproduction are prohibited

may 2018



2017

BX948 L 120 x P 37 x H 50

Wall hung vanity unit H50 - 2 DRAWERS

TOP NOT INCLUDED

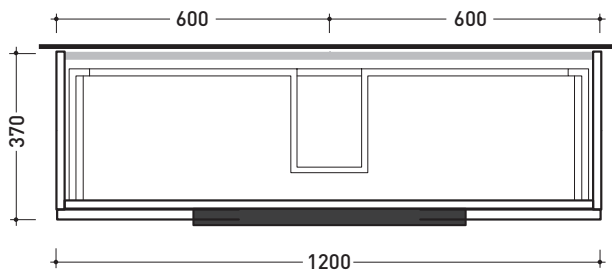
Complements: **countertop basins:**
Boll 42 (BL42L) / **Boll 56** (BL56L) / **Monò 54** (MN54L) /
NudaSlim 60 (ND60L / ND60PR) / **NudaSlim 75** (ND75L /
 ND75PR) / **Pass 39** (PS39LM) / **Pass 60** (PS60A) / **Pass 62** (PS62C)
 / **Pass 65** (PS65AT) / **Saltodacqua** (SD42L) / **Void 44** (VD44L)
Mirrors line: SIMPLE, MAKE-UP

Technical accessories: **Chrome siphon** (SIFL/CR)
Telescopic chrome siphon (SIFL066)

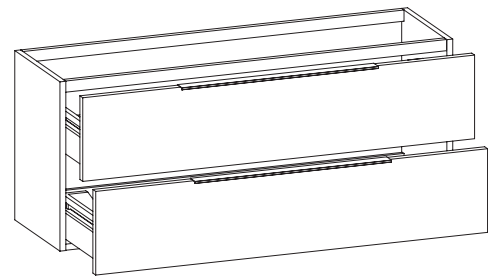
Package dim. | Weight **29,3 kg** | Pz. Pallet n° -



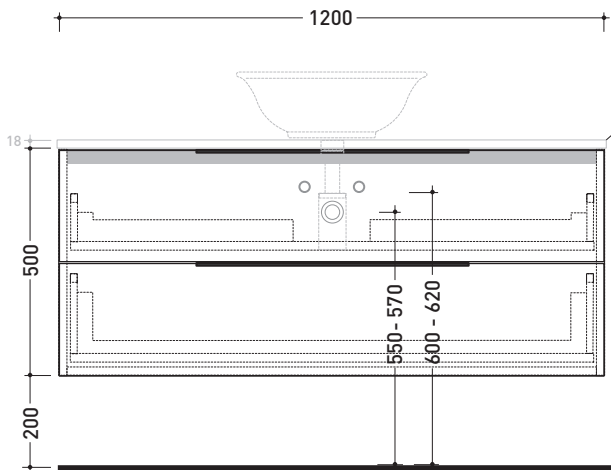
CE



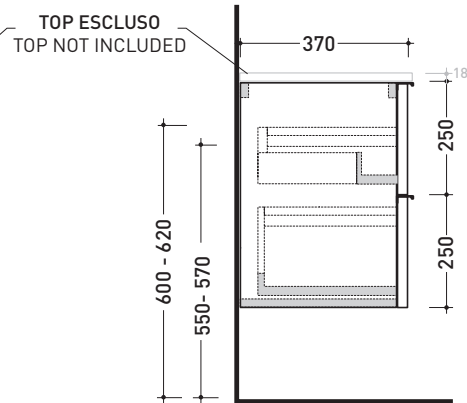
vista zenitale / zenital view



assonometria / axonometry



vista frontale / frontal view



sezione longitudinale / section

sizes in mm

WOOD: finish



OK Arly



OJ Bianco



OJ Grigio



OJ Canapa

COMPATIBLE COUNTERTOP BASINS

VANITY UNIT DEPTH: CM 37

| | |
|-------------|--------------------|
| Boll 42 | art. BL42L |
| Boll 56 | art. BL56L |
| Monò 54 | art. MN54L |
| NudaSlim 60 | art. ND60L |
| NudaSlim 60 | art. ND60PR |
| NudaSlim 75 | art. ND75L |
| NudaSlim 75 | art. ND75PR |
| Pass 39 | art. PS39LM |
| Pass 60 | art. PS60A |
| Pass 65 | art. PS65AT |
| Pass 62 | art. PS62C |
| Saltodacqua | art. SD42L |
| Void 44 | art. VD44L |

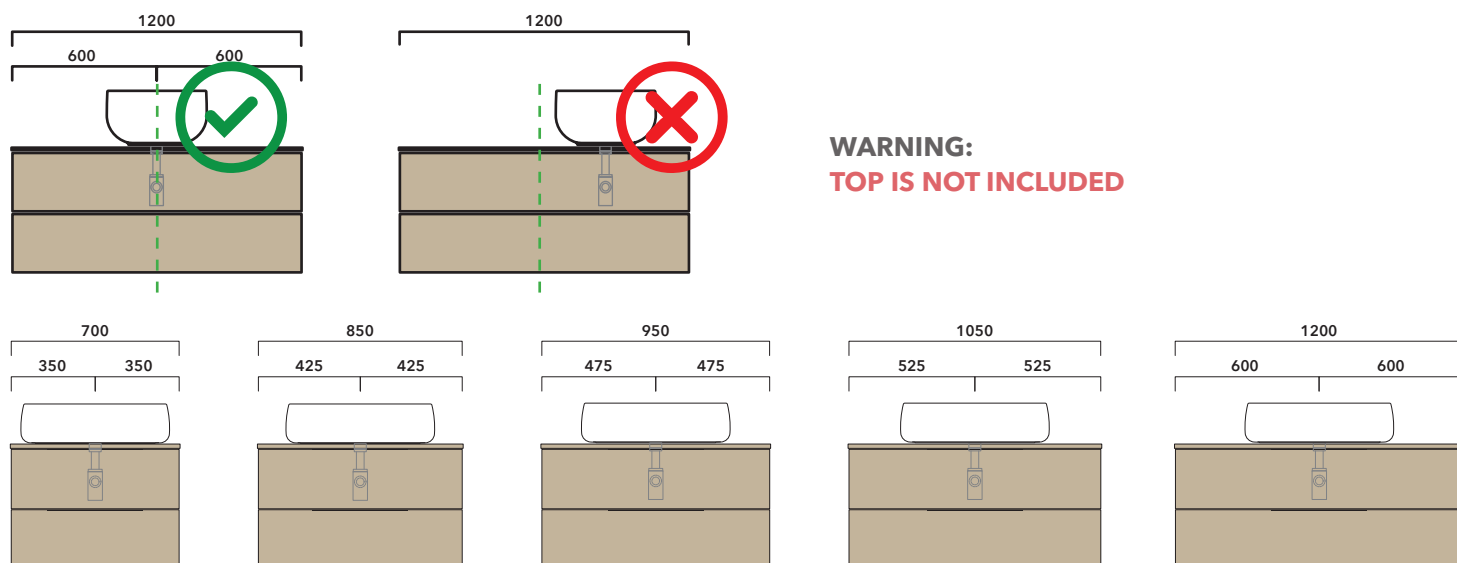
INDICATIONS FOR THE REALIZATION OF COMPOSITIONS

Taking care to the difference between **VANITY** or **WALL HUNG UNITS**:

- The drawer and the back of **VANITY UNIT** are cutted to permit the siphon installation.
- **WALL HUNG UNIT** are completely closed.

WARNING:

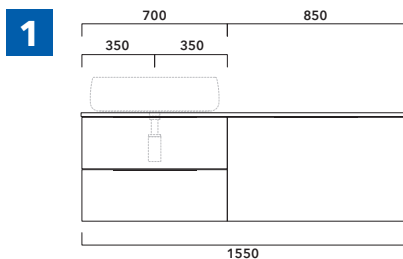
THE BASIN IS ALWAYS IN THE CENTRE OF THE WALL HUNG VANITY UNIT



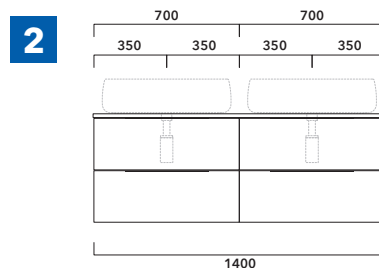
WARNING:
TOP IS NOT INCLUDED

Vanity units are suitable for **COUNTERTOP BASIN** only (NOT for recessed, semi-inset or undercounter ones).

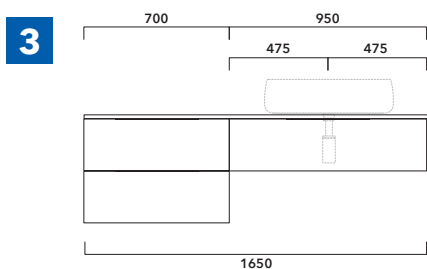
EXAMPLES OF COMPOSITIONS



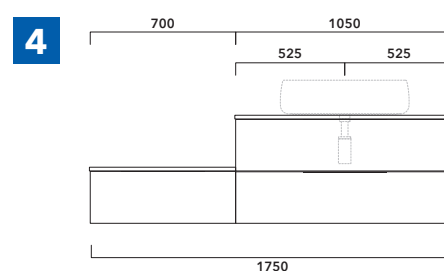
1 | depth cm 37:
n.1 **BX808** + n.1 **BX426** + **BXPR38** cm 155



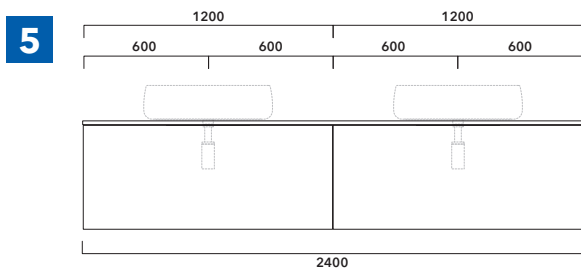
2 | depth cm 37:
n.2 **BX808** + **BXPR38** cm 140



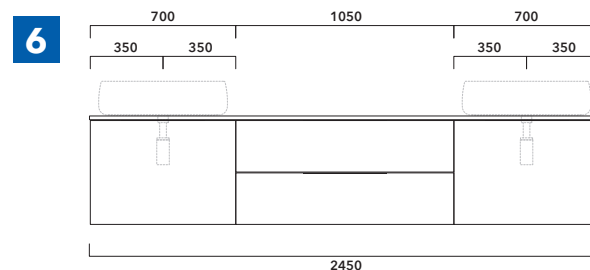
3 | depth cm 37:
n.1 **BX424** + n. 1 **BX994** + **BXPR38** cm 165



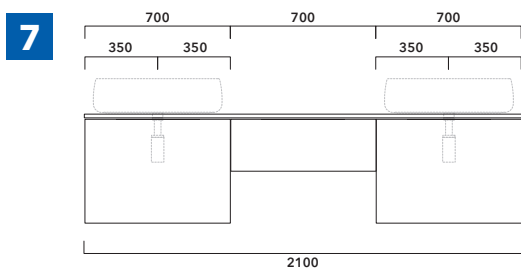
4 | depth cm 37:
n.1 **BX296** + n. 1 **BX838** + **BXPR38** cm 70 +
BXPR38 cm 105



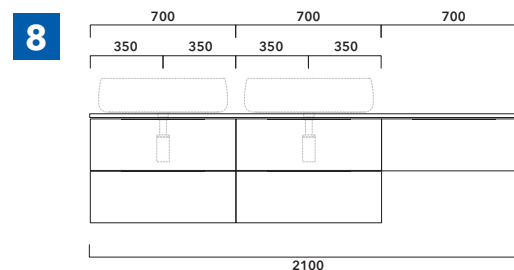
5 | depth cm 37:
n.2 **BX944** + **BXPR38** cm 240



6 | depth cm 37:
n.2 **BX804** + n.1 **BX436** + **BXPR38** cm 245



7 | depth cm 37:
n.2 **BX804** + n. 1 **BX296** + **BXPR38** cm 210



8 | depth cm 37:
n.2 **BX808** + n. 1 **BX296** + **BXPR38** cm 210

➔ **FLAMINIA.** MODULO PER LA REALIZZAZIONE DELLE COMPOSIZIONI MOBILI **BOX**
CUSTOMIZED COMPOSITION FORM FOR **BOX** UNITS



E' obbligatorio fotocopiare questa pagina, compilarla con cura e allegarla all'ordine.
It is compulsory to photocopy this page, carefully fill in and attach to the order.

➔➔ **1** **DETTAGLI ORDINE / ORDER DETAILS**

ordinante - buyer _____ cliente - client _____

ordine - order n: _____ data - date: _____ ref.: _____

annotazioni - notes _____

➔➔ **2** **PROFONDITÀ MOBILE / UNIT DEPTH** É importante consultare il listino prezzi / It's important to consult price list

CM 37

CM 50

➔➔ **3** **DISEGNO / DRAWING**



➔➔ **4** **ELENCO ARTICOLI / ARTICLE LIST** É importante consultare il listino prezzi / It's important to consult price list

art. _____ dim. _____ art. _____ dim. _____

art. _____ dim. _____ art. _____ dim. _____

art. _____ dim. _____ art. _____ dim. _____

➔➔ **5** **LAVABO DA APPOGGIO / COUTERTOP BASIN**

FLAMINIA lavabo/basin art. _____

NO FLAMINIA lavabo/basin
(allegare scheda tecnica / enclose a technical drawing)

➔➔ **6** **SCELTA FINITURA / FINISH SELECTION**

OK ARLY

OJ BIANCO

OJ GRIGIO

OJ CANAPA