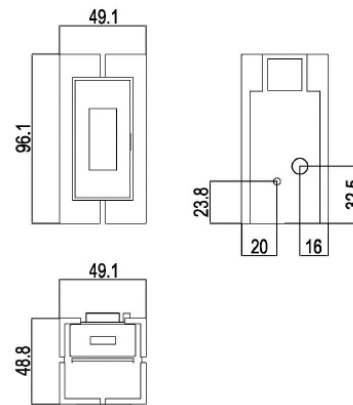




STEEL

- ANTHRACITE
7015043
EAN 8033123616683
- WHITE
7015041
EAN 8033123616669
- RED
7015040
EAN 8033123616652
- SILVER
7015039
EAN 8033123616645
- LIGHT BRONZE
7015042
EAN 8033123616676



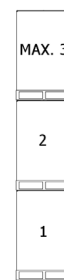
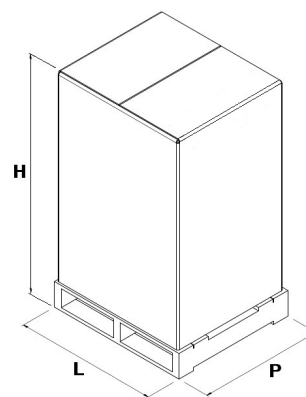
EXTRA

-
-
-
-
-
-
-
-

TECHNICAL DATAS

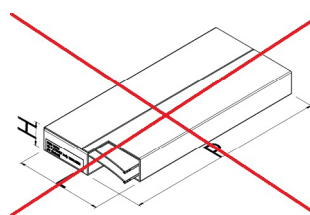
Nominal power	kW	8,5
Reduced power	kW	2,3
Nominal water useful power	kW	-
Reduced water useful power	kW	-
Nominal efficiency	%	88,9
Reduced efficiency	%	92,2
Heating volume (min-max)	m ³	57 - 207
Nominal CO at 13% O ₂	%	0,014
Reduced CO at 13% O ₂	%	0,032
Nominal dust content at 13% O ₂	mg/Nm ³	8
Boiler capacity (H ₂ O)	l	-
Hopper capacity	kg	15
Combustible		Pellet ø6
Hourly consumption (min-max)	kg/h	0,52 - 1,98
Autonomy (min-max)	h	28,8 - 7,6
Ignition electrical absorption (max)	W	350
Operating electrical absorption (max)	W	50
Supply and frequency	V - Hz	230 - 50
Chimney flue depression	Pa	11,63
Exhaust diameter	mm	80
Combustion air inlet diameter	mm	40
Mass of smoke (min-max)	g/sec	2,22 - 4,72
Exhaust fumes temperature (max)	°C	208,8
Net weight	kg	89
Gross weight	kg	99

PACKAGING AND STOCKING



L (cm)	60
H (cm)	115
P (cm)	68

LINING PACKING



LINING	L (cm)	H (cm)	P (cm)



Art. 15A B-VG 2015



BImSchV 2015



Regensburg



München



Stuttgart

Aachen