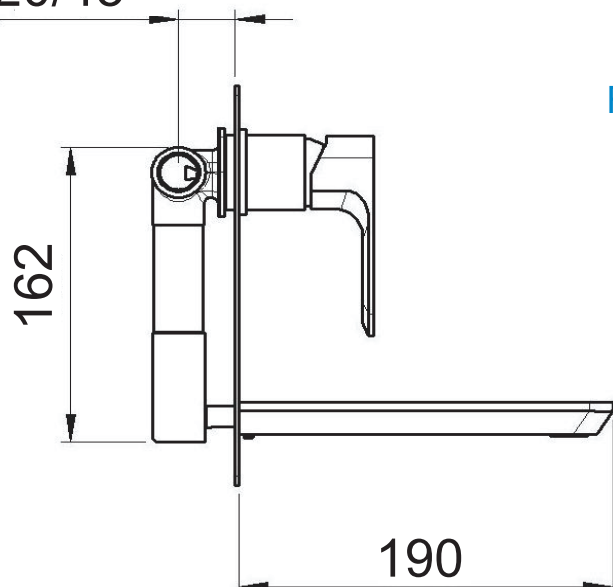




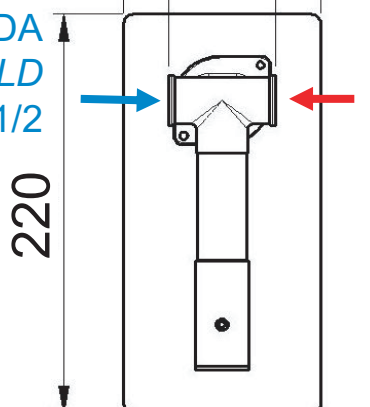
20/45



100

54

FREDDA
COLD
G1/2



CALDA
HOT
G1/2

MATERIALI / MATERIALS

OTTONE CROMATO / CHROME PLATED BRASS

CROMATURA / CHROME PLATING

UNI EN 248