

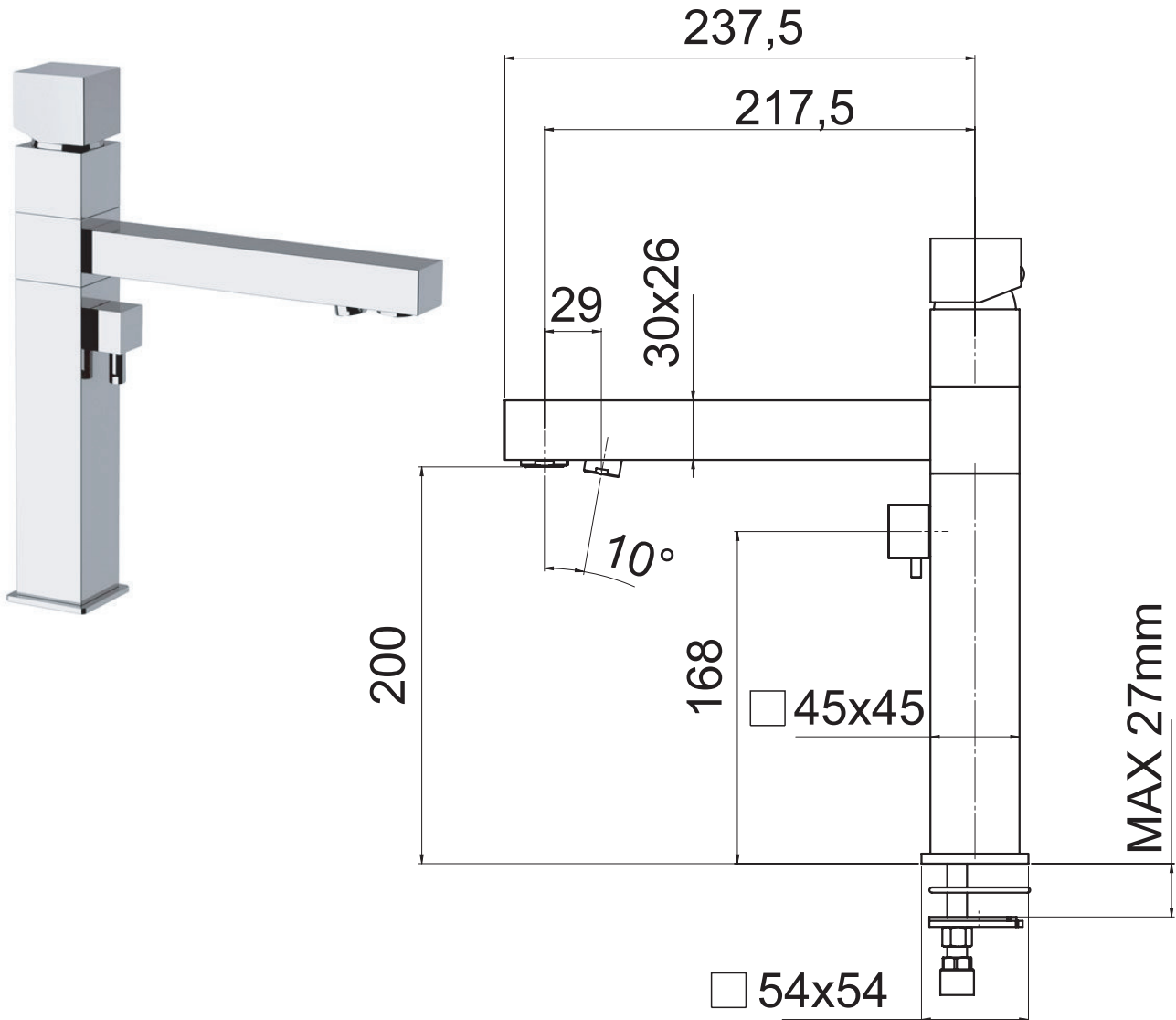


DANIEL

SCHEDA TECNICA TECHNICAL FEATURES

ART. COD.

OX23608DW



MATERIALI / MATERIALS

OTTONE CROMATO / CHROME PLATED BRASS

CROMATURA / CHROME PLATING

UNI EN 248